

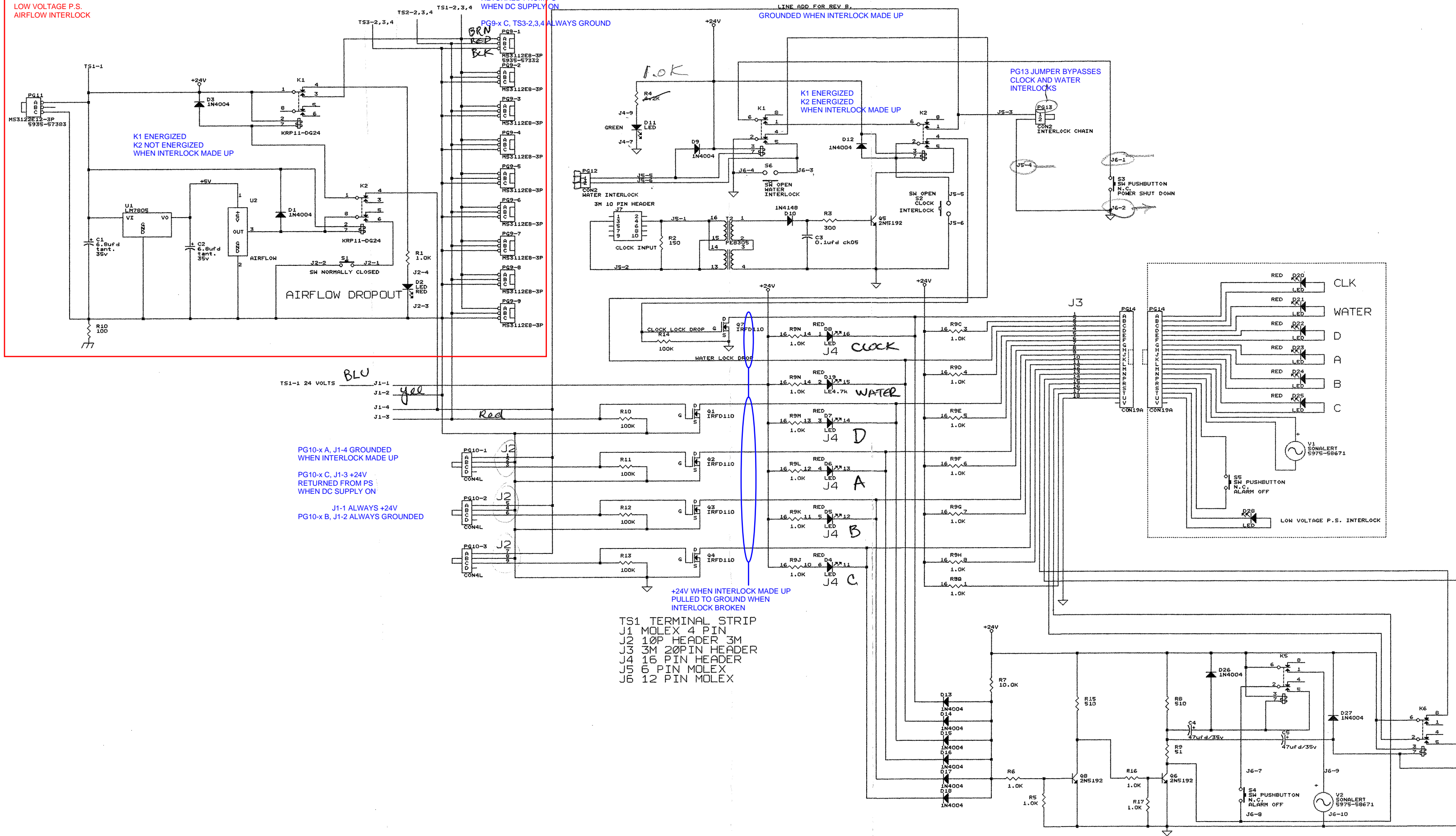
LOW VOLTAGE P.S.  
AIRFLOW INTERLOCK

PG9-x A, TS1-2,3,4 +24V  
SENT TO PS  
WHEN INTERLOCK MADE UP

PG9-x B, TS2-2,3,4 +24V  
RETURNED FROM PS  
WHEN DC SUPPLY ON

PG9-x C, TS3-2,3,4 ALWAYS GROUND

LINE ADD FOR REV B.  
GROUNDED WHEN INTERLOCK MADE UP



TS1-1 24 VOLTS  
J1-1  
J1-2  
J1-3  
J1-4

PG10-x A, J1-4 GROUNDED  
WHEN INTERLOCK MADE UP

PG10-x C, J1-3 +24V  
RETURNED FROM PS  
WHEN DC SUPPLY ON

J1-1 ALWAYS +24V  
PG10-x B, J1-2 ALWAYS GROUNDED

+24V WHEN INTERLOCK MADE UP  
PULLED TO GROUND WHEN  
INTERLOCK BROKEN

TS1 TERMINAL STRIP  
J1 MOLEX 4 PIN  
J2 10P HEADER 3M  
J3 3M 20PIN HEADER  
J4 16 PIN HEADER  
J5 6 PIN MOLEX  
J6 12 PIN MOLEX