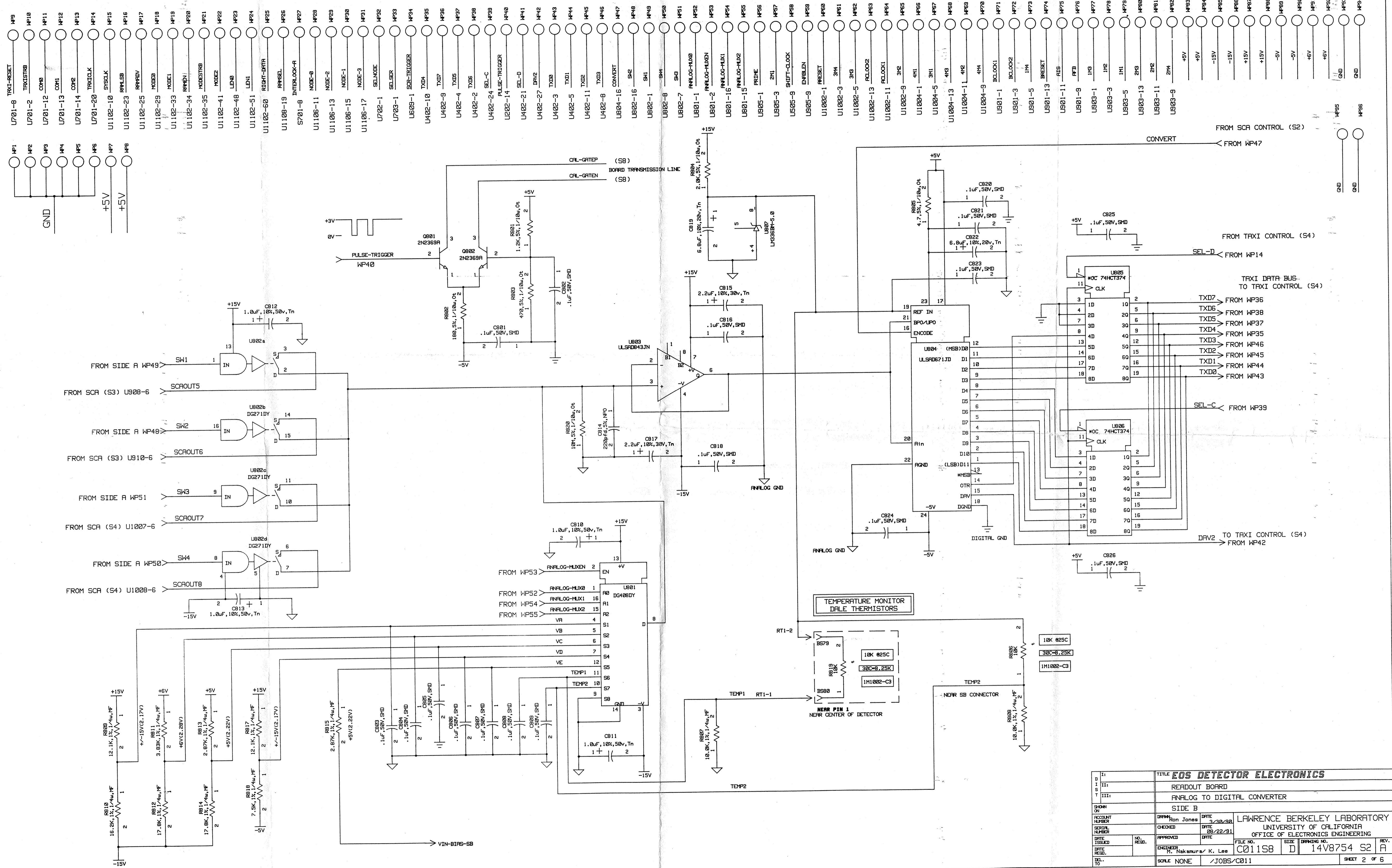


REV.	CHANGES	DRWN	DATE	CHKD.	DATE



TITLE		EOS DETECTOR ELECTRONICS			
SUBTITLE		READOUT BOARD			
FUNCTION		ANALOG TO DIGITAL CONVERTER			
DRAWN		DATE	LAWRENCE BERKELEY LABORATORY		
CHECKED		DATE	UNIVERSITY OF CALIFORNIA		
APPROVED		DATE	OFFICE OF ELECTRONICS ENGINEERING		
ENGINEER	M. Nakamura / K. Lee	FILE NO.	C01158	SIZE	D
SCALE	NONE	NO. RECD.		DRWING NO.	14V8754 S2
REV.		DATE			
SHEET		2 OF 6			