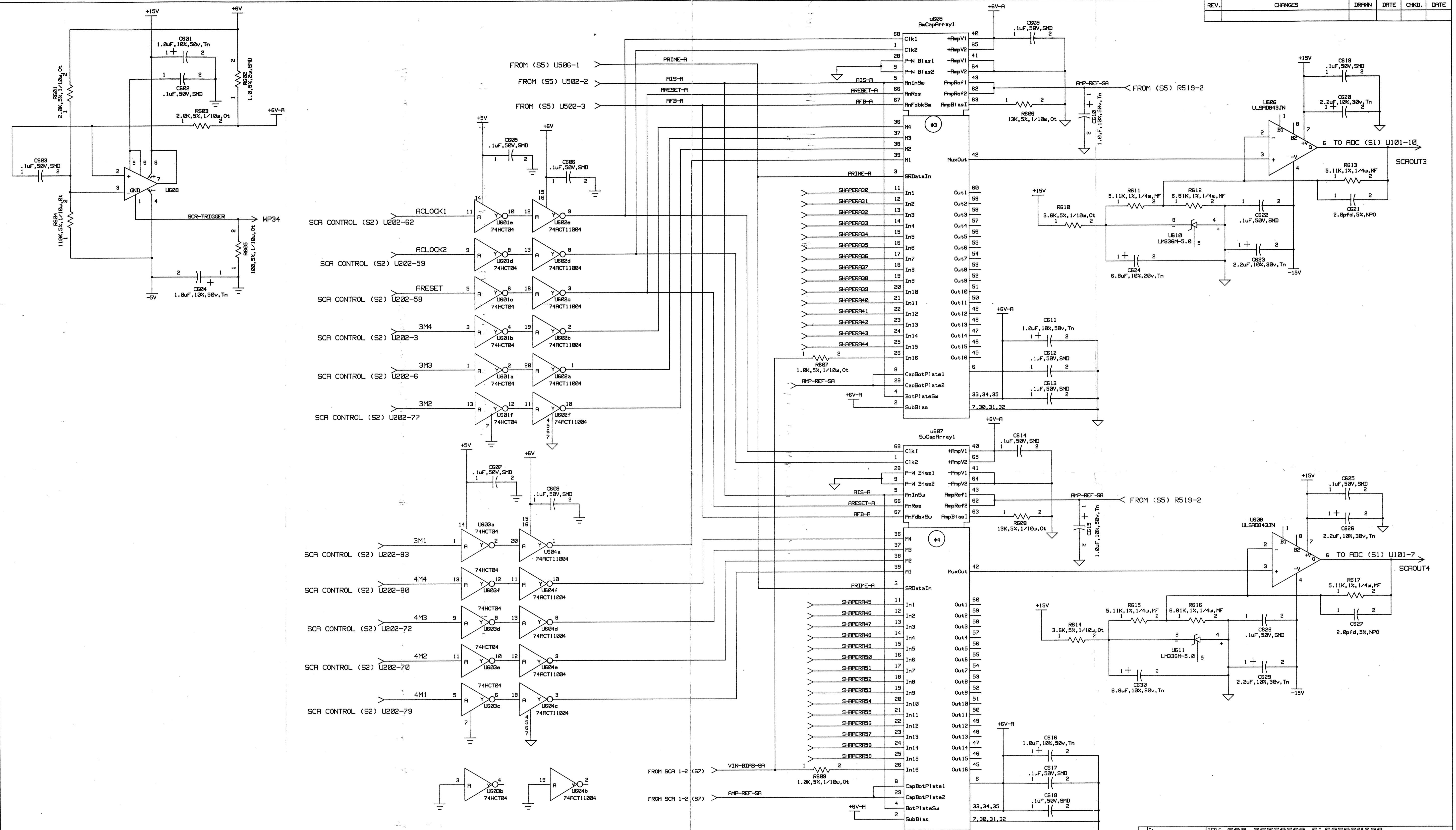


REV.	CHANGES	DRWEN	DATE	CHKD.	DATE



I:		TITLE EOS DETECTOR ELECTRONICS	
II:		READOUT BOARD	
III:		SWITCHED CAPACITOR ARRAY INTERFACE LOGIC 3 AND 4	
DRAWN BY:		SIDE A	
ACCOUNT NUMBER	DATE	DRWEN	DATE
NO.	3/22/80	Ron Jones	3/22/80
CHECKED	DATE	LAWRENCE BERKELEY LABORATORY	
NO.	08/28/91	UNIVERSITY OF CALIFORNIA	
APPROVED	DATE	OFFICE OF ELECTRONICS ENGINEERING	
NO.		FILE NO.	SIZE
NO.		C00956	D
ENGINEER	NO.	DRWING NO.	REV.
M. Nakamura/K. Lee		14V8744	S6 A
SCALE	NONE	JOB#	C009
			SHEET 5 OF 5