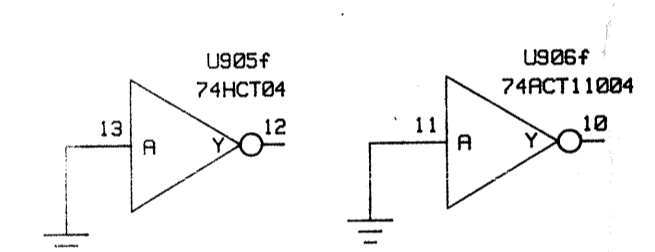
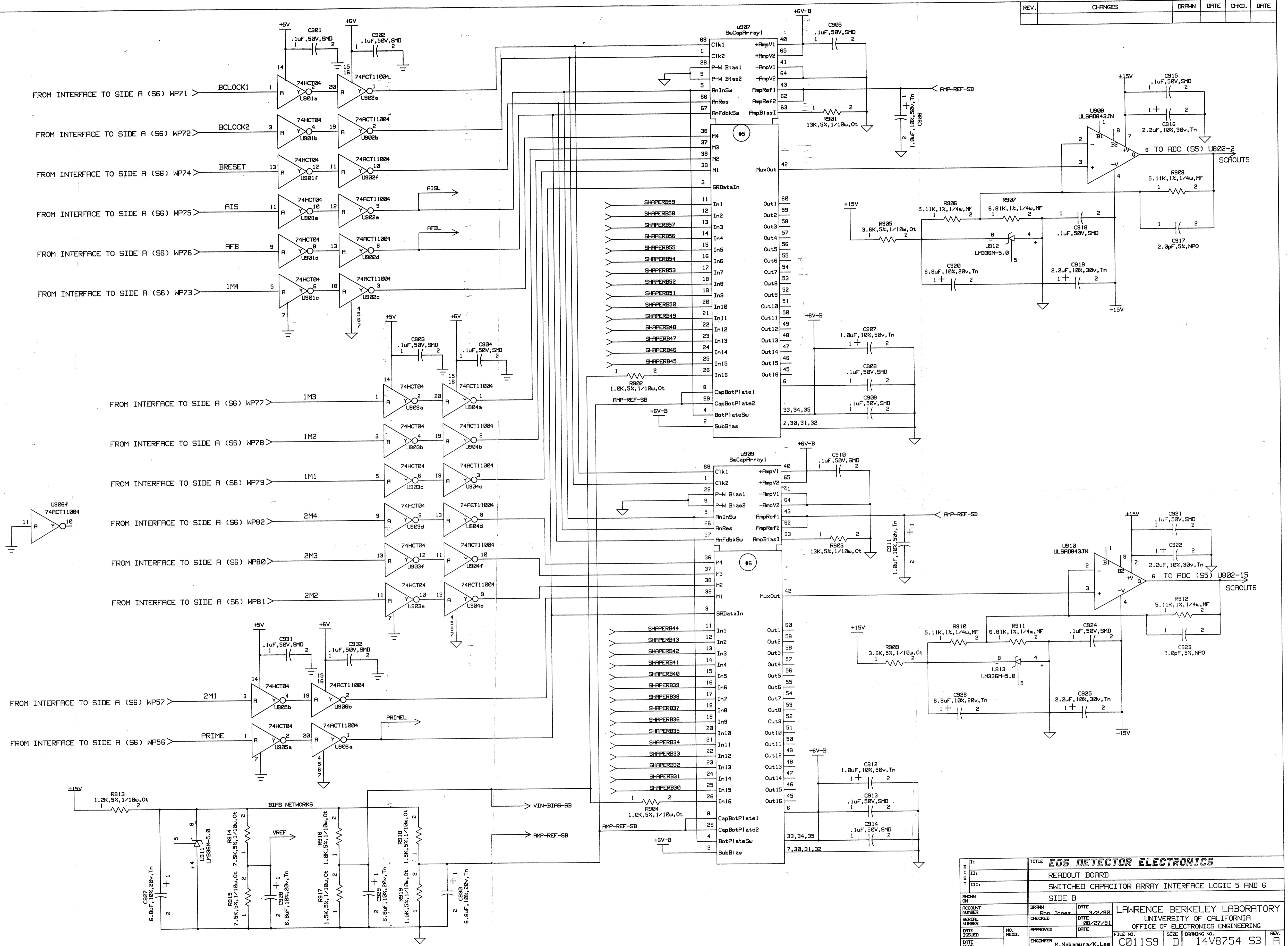


REV.	CHANGES	DRAWN	DATE	CHKD.	DATE



TITLE					
EOS DETECTOR ELECTRONICS					
READOUT BOARD					
SWITCHED CAPACITOR ARRAY INTERFACE LOGIC 5 AND 6					
SIDE B					
DRAWN	DATE	DESIGNED	DATE	FILE NO.	REV.
LAWRENCE BERKELEY LABORATORY					
UNIVERSITY OF CALIFORNIA					
OFFICE OF ELECTRONICS ENGINEERING					
ENGINEER	NO. RECD.	APPROVED	DATE	FILE NO.	REV.
SCALE NONE / JOBS/C011					
					SHEET 3 OF 6