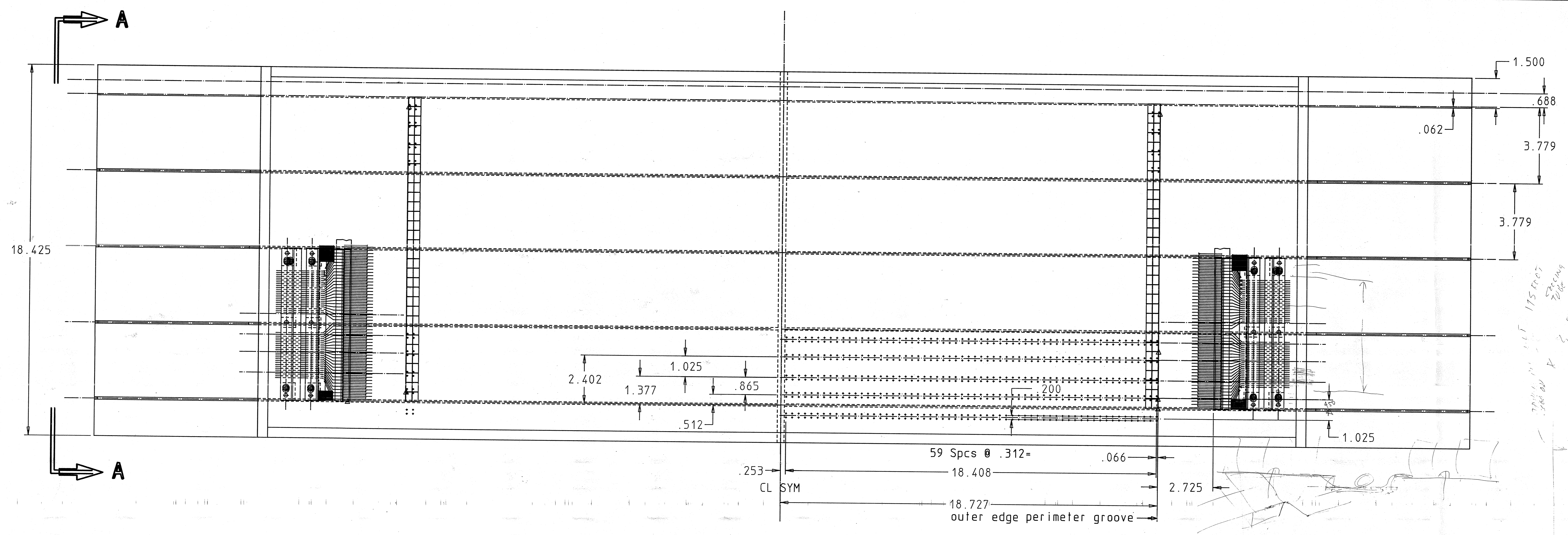
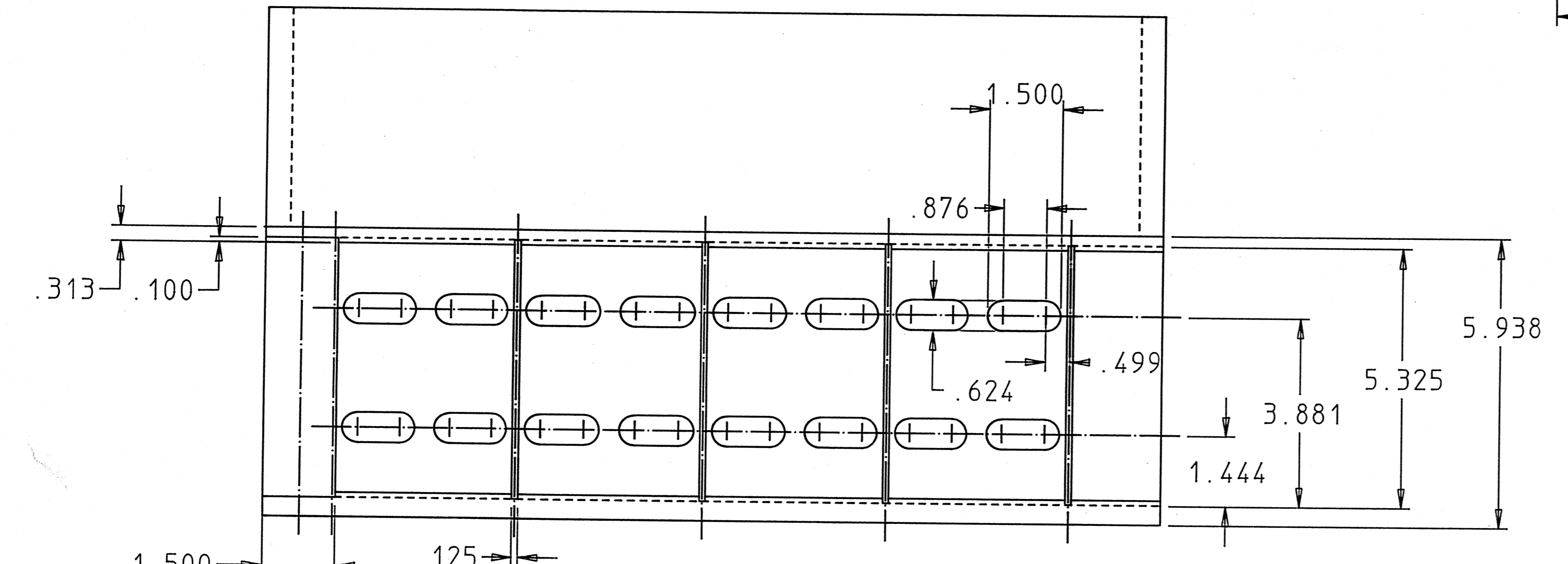
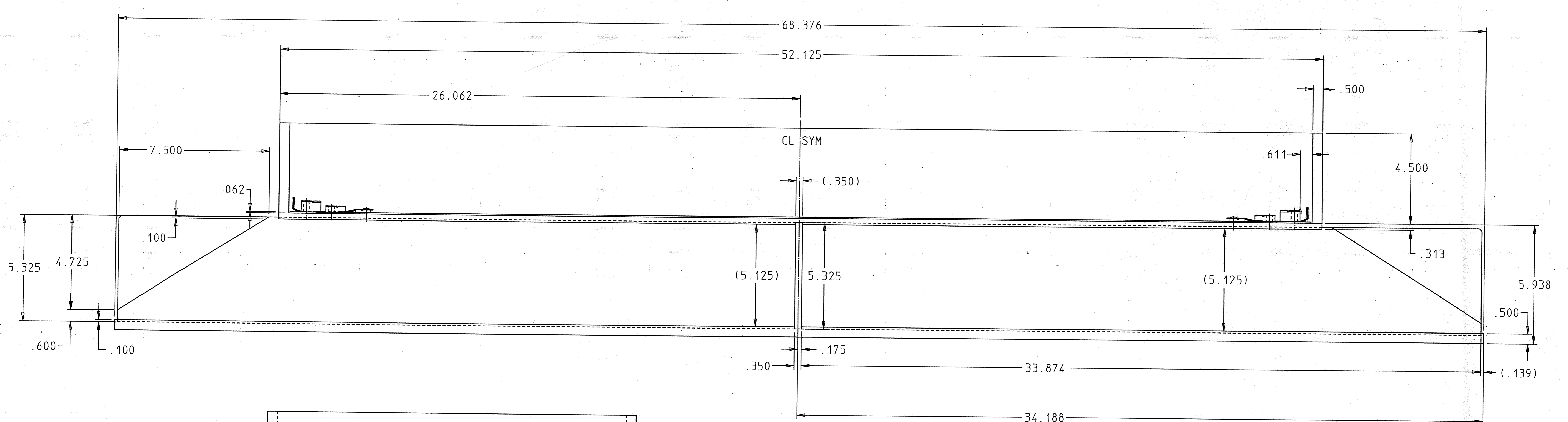


845  
1025  
71.870  
1995



1151007  
3/20/95  
20/95  
A  
P



**VIEW A-A**

2-12-90  
22N6996

REV				CHANGES				SHOP ORDERS				LAWRENCE BERKELEY LABORATORY			
ACCT. NO.	DATE ISSD	DATE RECD.	SERIAL NO.	ACCT. NO.	DATE ISSD	DATE RECD.	SERIAL NO.	UNIVERSITY OF CALIFORNIA-BERKELEY				NUCLEAR SCIENCE			
DELIVER TO				SURFACE TREATMENT				PATENT CLEAR				PPS MODEL 2 - LAYOUT			
DESIGNER: W. HARNDEN				DATE: 1-30-90				DWG. TYPE: LAYOUT				SCALE: FULL			
CHK. BY:				DATE:				HYGROFILMED				DWG. NO. 22N6996			
REV				CHANGES				DESIGN ACT. NO. 7970-03				CATEGORY CODE 224605			