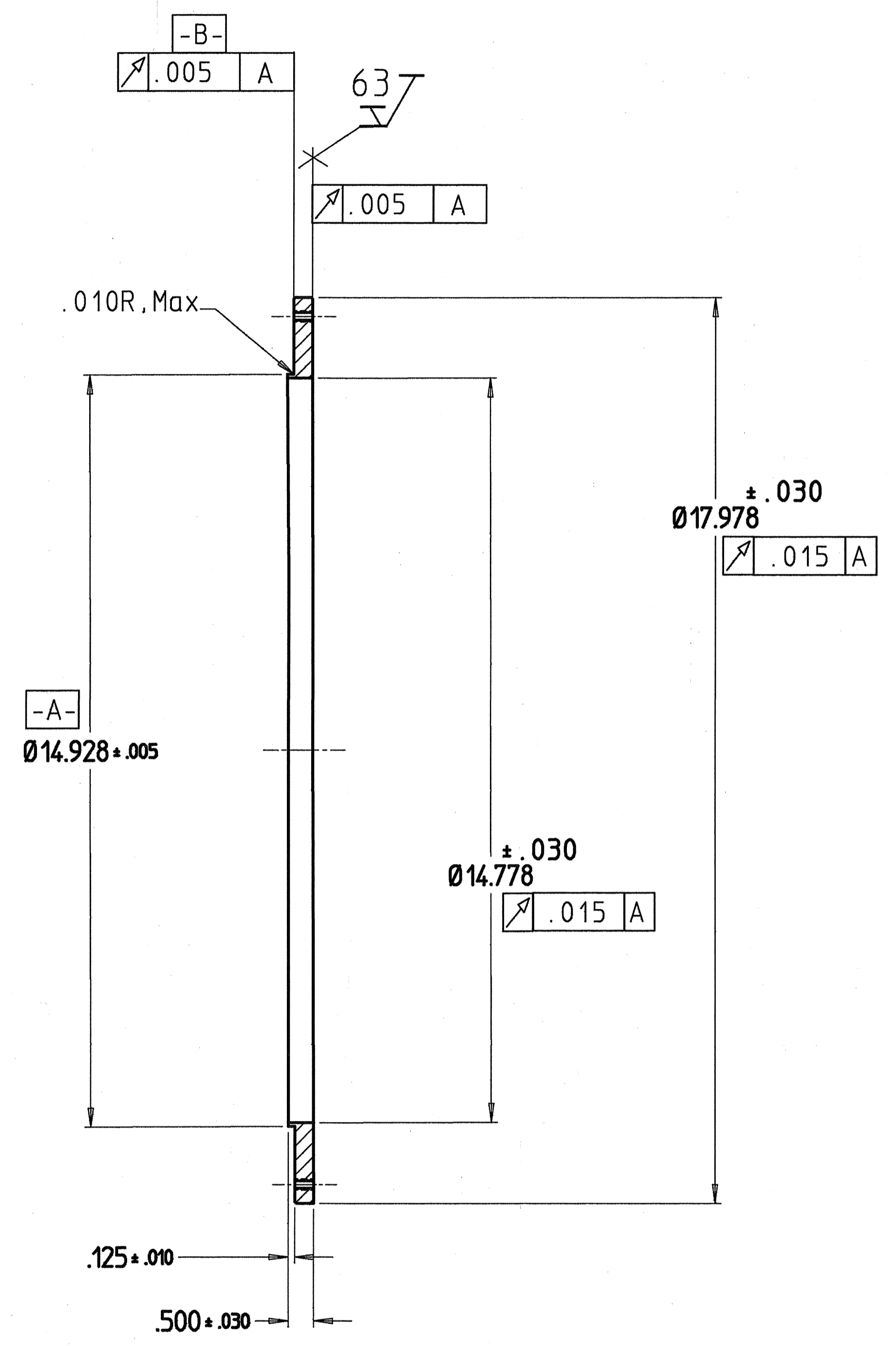
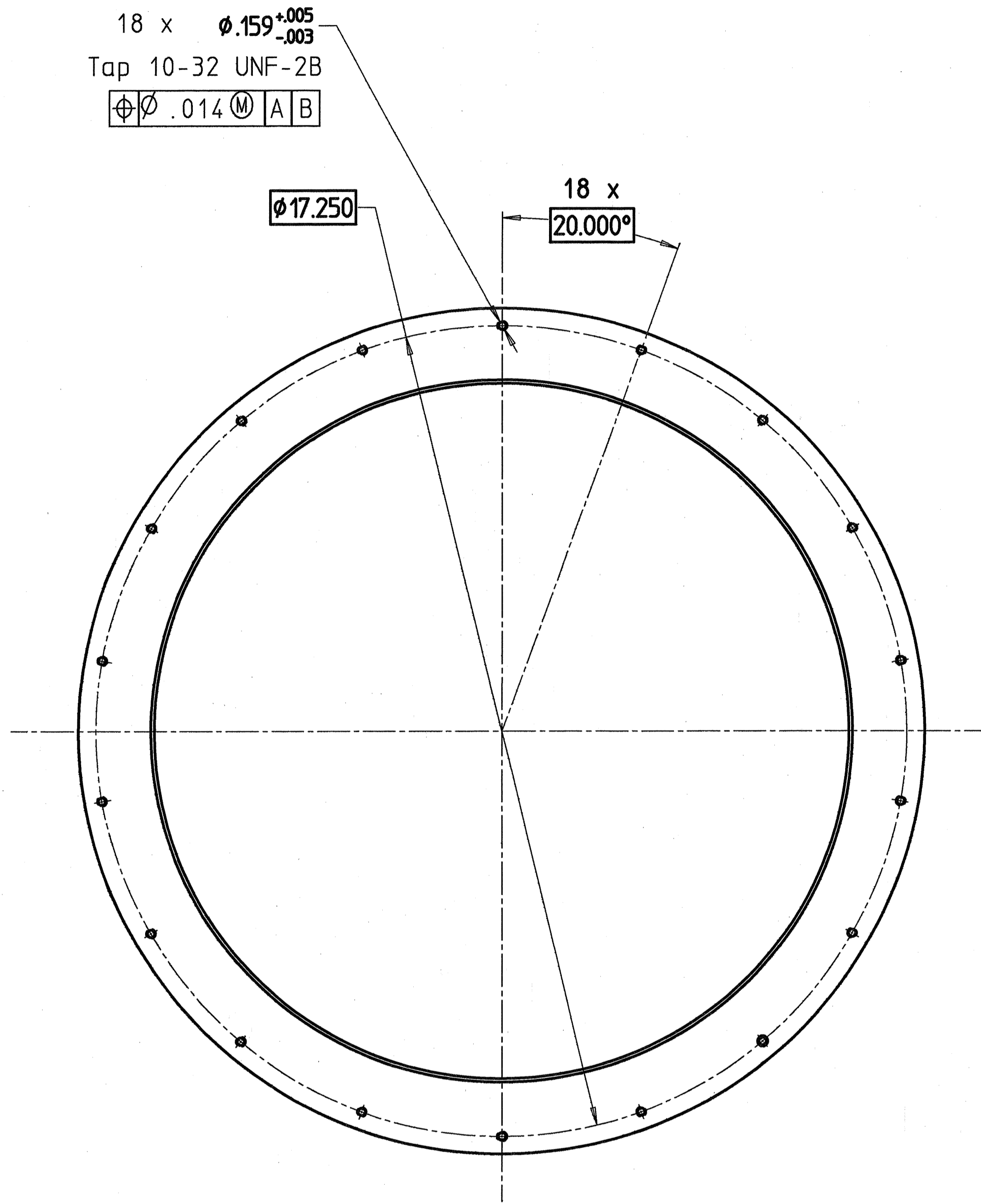


REQ	ITEM	PART NUMBER	DESCRIPTION
			Plate, .500 Thk, 6061-T6



11-6-90
22N4454

REQ	ITEM	PART NO.	DESCRIPTION
			Plate, .625, Al Alloy 6061-T6

UNLESS OTHERWISE SPECIFIED		SHOP ORDERS		LAWRENCE BERKELEY LABORATORY	
TOLERANCES		ACCT. NO.	SERIAL NO.	UNIVERSITY OF CALIFORNIA-BERKELEY	
.X ±	FRAC. ±	DATE ISSD	DATE RECD.	NUCLEAR SCIENCE	
.XX ±	ANGLES ±	DELIVER TO	NO. RECD.	HISS TPC	
.XXX ±	0.15 FINISH	SURFACE TREATMENT		Outer-Adapter Flg.	
THREADS ARE CLASS 2		IDENT. METH.		PATENT CLEAR	DWG. TYPE
CHAMFER ENDS OF ALL SCREW THREADS 30°		DWG. BY	DATE	SHOWN ON	SCALE
CUT 1.5 PITCH THIRD RELIEF WITH ROUND NOSE TOOL		W. Harnden	11-1-90	Detail	22N 6
ON MACHINE CUT THREADS		CHK. BY	DATE	MICROFILMED	DESIGN ACCT. NO.
BREAK EDGES .016 MAX. ON MACHINED WORK				7970-05	224805
REMOVE BURRS, WELD SPLATTER & LOOSE SCALE					
REFERENCES: ANSI Y14.5 & B46.1.					

REV	DWG	CHK	ZONE	DATE	CHANGES

SCALE Full
DO NOT SCALE PRINTS
DWG. NO. 22N4454
REV.