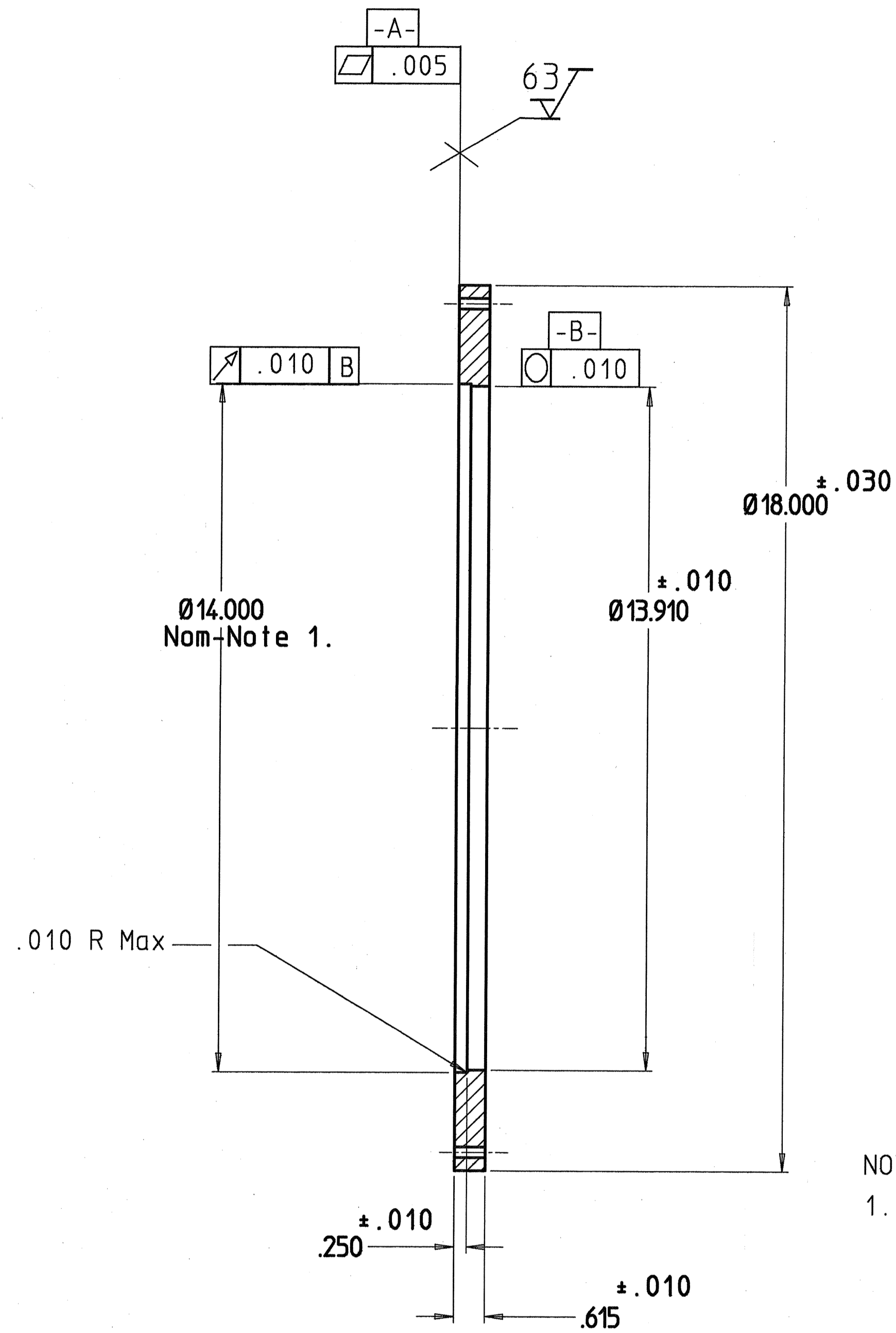
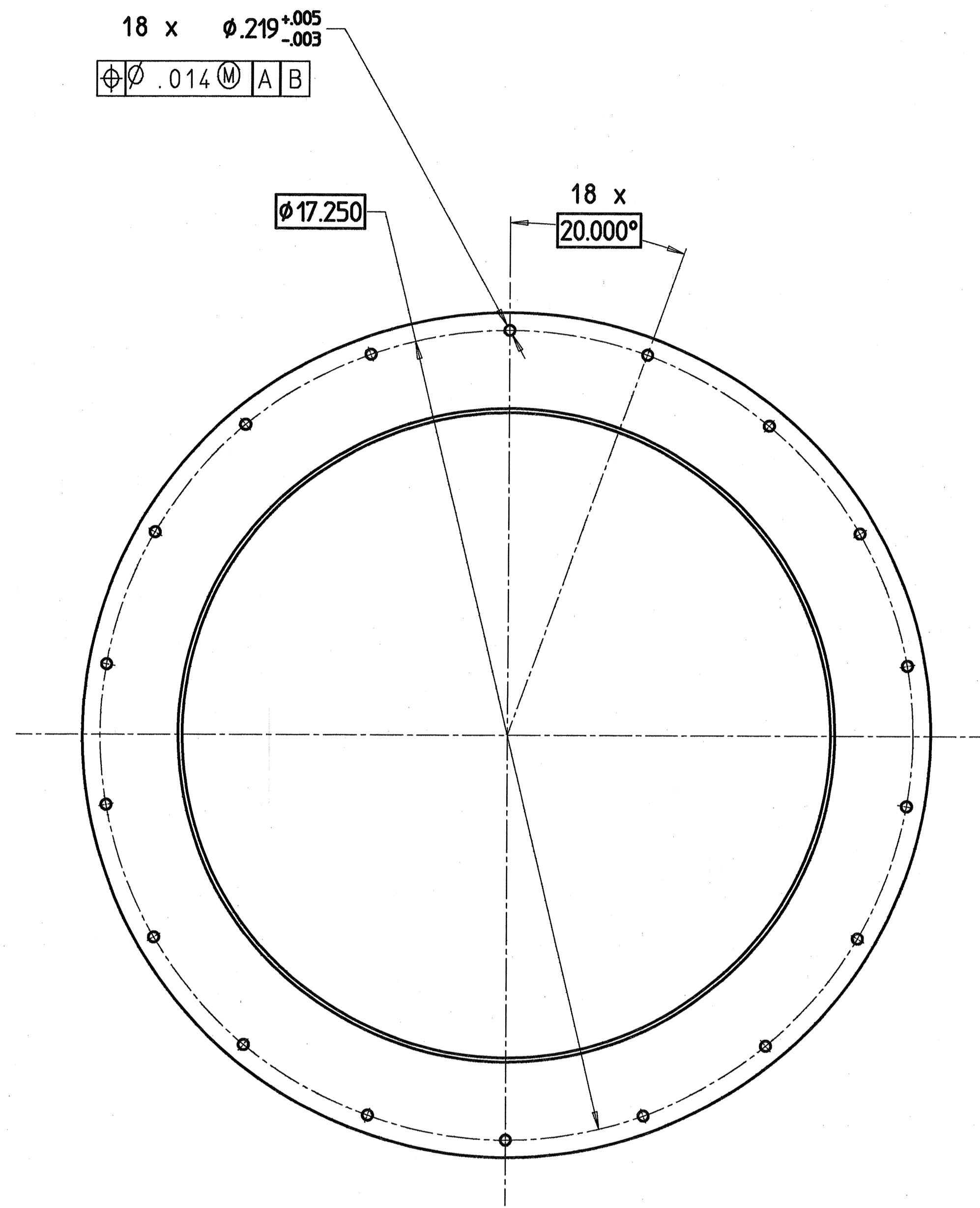


REQ	ITEM	PART NUMBER	DESCRIPTION
			Plate, .375 Thk, 6061-T6



10-29-90  
22N4414

NOTES  
1. Bore to accept "OUTER-TUBE", Dwg. 22N4434.  
Fit for epoxy joint.

REQ	ITEM	PART NO.	DESCRIPTION
			Plate, .625, Al Alloy 6061-T6

LAWRENCE BERKELEY LABORATORY			
UNIVERSITY OF CALIFORNIA-BERKELEY			
NUCLEAR SCIENCE			
HISS TPC			
OUTER-Mtg. Flg.			
PATENT CLEAR	DWG. TYPE	SHOWN ON	SCALE
	Detail	22N 6	Full
BY W. Harnden	DATE 10-19-90	DESIGN ACCT. NO. 7970-05	CATEGORY CODE 224805
CHK.	DATE	DWG. NO. 22N4414	REV.

REV	DWG	CHK	ZONE	DATE	CHANGES

UNLESS OTHERWISE SPECIFIED

TOLERANCES	FINISH	DELIVER TO
.X ±	ANGLES ±	30
.XX ±		SURFACE TREATMENT
.XXX ±	0.15	IDENT. METH.
		BREAK EDGES .016 MAX. ON MACHINED WORK
		REMOVE BURRS WELD SPLATTER & LOOSE SCALE
		REFERENCES: ANSI Y14.5 & B46.1.

SHOP ORDERS

ACCT. NO.	SERIAL NO.
DATE ISSD	DATE RECD.
NO. RECD.	