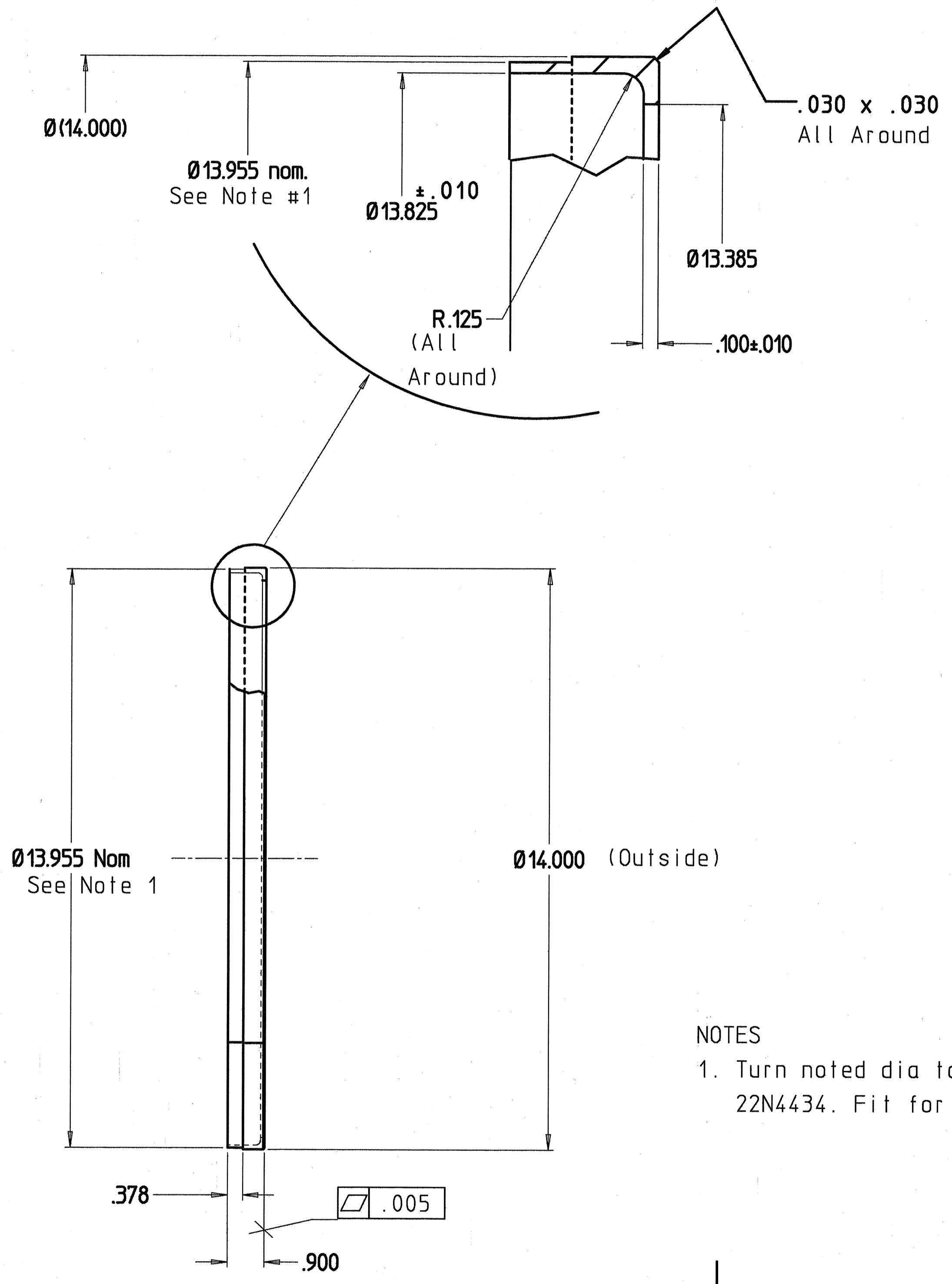
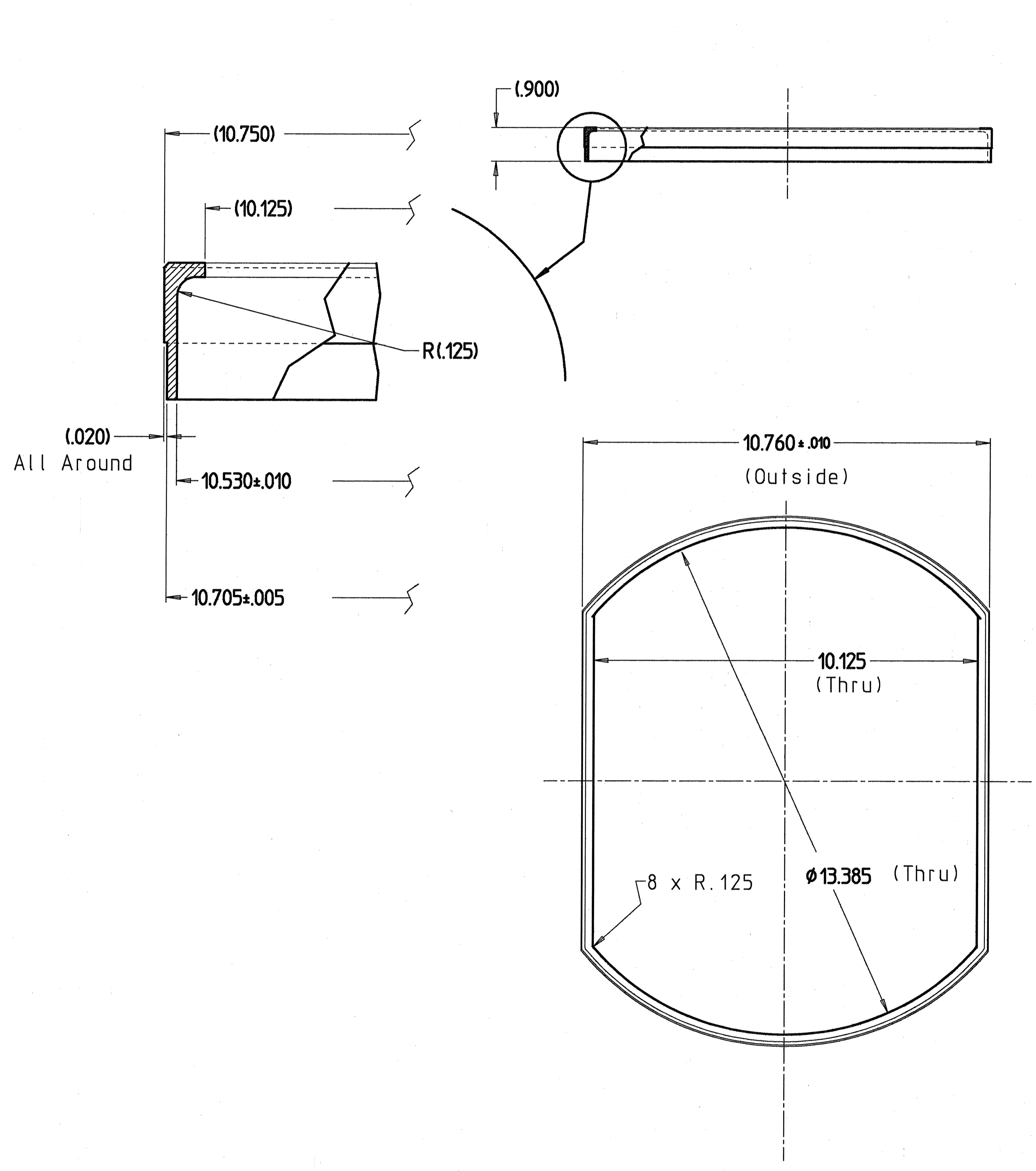


REQ	ITEM	PART NUMBER	DESCRIPTION

Canvasback Phenolic Sheet, 1.00 Thk.



NOTES  
 1. Turn noted dia to accept Outer-Tube, 22N4434. Fit for epoxy glue-up.

11-2-90  
 22N4406

UNLESS OTHERWISE SPECIFIED				SHOP ORDERS			LAWRENCE BERKELEY LABORATORY				
TOLERANCES	.X ±	FRAC. ±	FINISH	ACCT. NO.	SERIAL NO.	UNIVERSITY OF CALIFORNIA-BERKELEY					
	.XX ±	ANGLES ±		DATE ISSD	DATE RECD.	NUCLEAR SCIENCE					
	.XXX ±					HISS TPC					
						Outer-Window Frame					
						PATENT CLEAR	DWG. TYPE	SHOWN ON	SCALE	DO NOT SCALE PRINTS	
							Detail	22N4406	1/2		
						DWG. BY	DATE	DESIGN ACCT. NO.	CATEGORY CODE	DWG. NO.	
						W. Harnden	10-25-90	7970-05	224805	22N4464	
										REV.	
REV	DWG	CHK	ZONE	DATE	CHANGES						SIZE