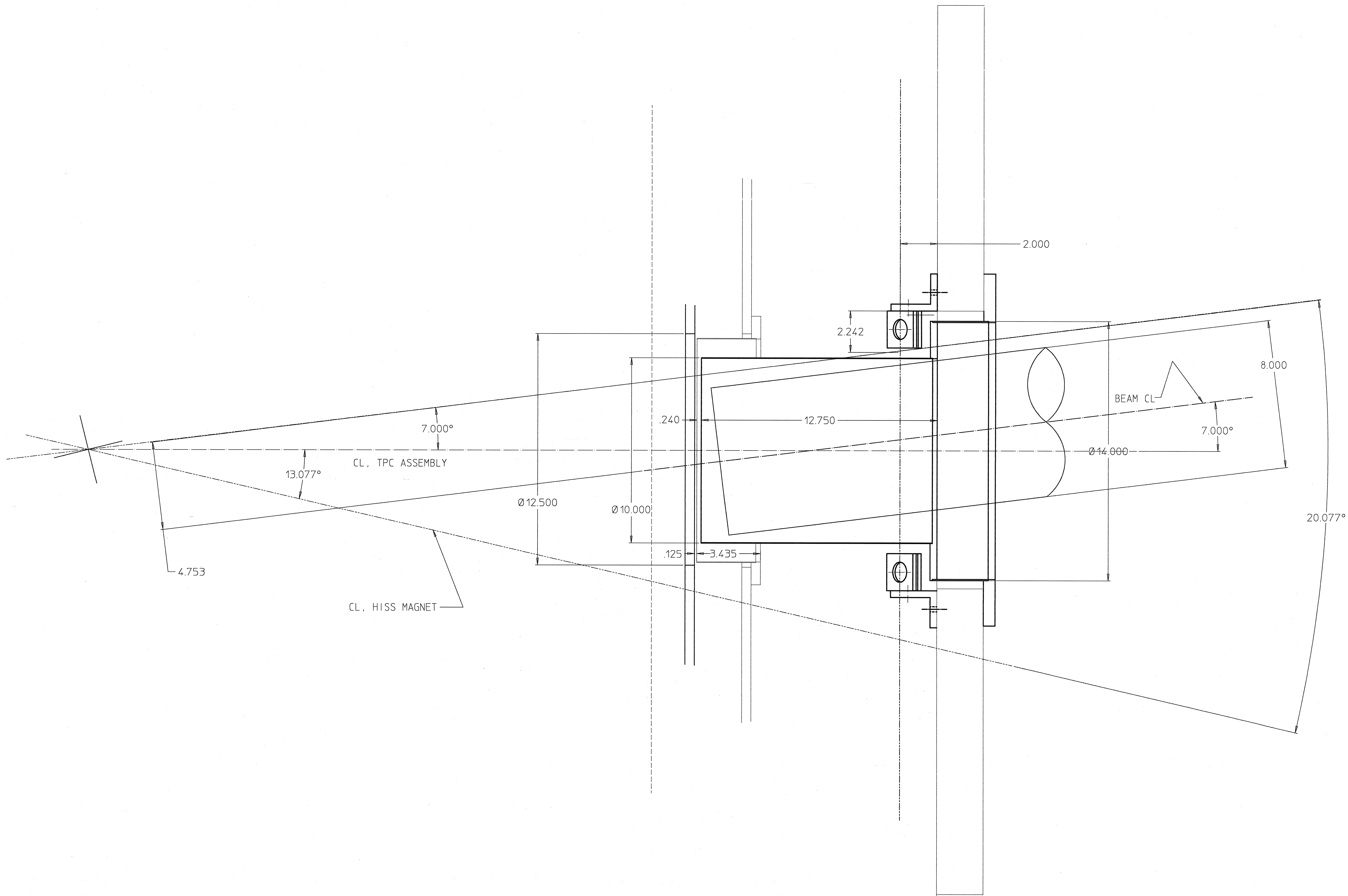


8 7 6 5 4 3 2 1



22N7106

REV		DWG		CHK		ZONE		DATE		CHANGES		UNLESS OTHERWISE SPECIFIED		SHOP ORDERS		DESCRIPTION	
													FRAC.	ACCT. NO.	SERIAL NO.	LAWRENCE BERKELEY LABORATORY	
													DATE	DATE	DATE	UNIVERSITY OF CALIFORNIA-BERKELEY	
													ANGLE	RECD.	NO. RECD.	NUCLEAR SCIENCE	
													FINISH			HISS-TPC	
													SURFACE TREATMENT		OPTICAL BENCH LAYOUT, PLAN VIEW		
													DESIGN		PATENT CLEAR	DWG. TYPE	SHOWN ON
													DRG. W. HARDEN		DATE	SCALE	NO. OF SHEETS
													DATE		7970-06	224805	22N7106
													MICROFILMED		DESIGN ACCT. NO.	CATEGORY CODE	NO. OF REV.
																	SIZE
																	REV.

8 7 6 5 4 3 2 1