

# REPLACEABLE MECHANICAL PARTS

## PARTS ORDERING INFORMATION

Replacement parts are available from or through your local Tektronix, Inc. Field Office or representative.

Changes to Tektronix instruments are sometimes made to accommodate improved components as they become available, and to give you the benefit of the latest circuit improvements developed in our engineering department. It is therefore important, when ordering parts, to include the following information in your order: Part number, instrument type or number, serial number, and modification number if applicable.

If a part you have ordered has been replaced with a new or improved part, your local Tektronix, Inc. Field Office or representative will contact you concerning any change in part number.

Change information, if any, is located at the rear of this manual.

## SPECIAL NOTES AND SYMBOLS

X000 Part first added at this serial number  
00X Part removed after this serial number

## FIGURE AND INDEX NUMBERS

Items in this section are referenced by figure and index numbers to the illustrations.

## INDENTATION SYSTEM

This mechanical parts list is indented to indicate item relationships. Following is an example of the indentation system used in the description column.

```

1 2 3 4 5           Name & Description
Assembly and/or Component
Attaching parts for Assembly and/or Component
    * * * * *
Detail Part of Assembly and/or Component
Attaching parts for Detail Part
    * * * * *
Parts of Detail Part
Attaching parts for Parts of Detail Part
    * * * * *
  
```

Attaching Parts always appear in the same indentation as the item it mounts, while the detail parts are indented to the right. Indented items are part of, and included with, the next higher indentation. The separation symbol - - - \* - - - indicates the end of attaching parts.

**Attaching parts must be purchased separately, unless otherwise specified.**

## ITEM NAME

In the Parts List, an Item Name is separated from the description by a colon (:). Because of space limitations, an Item Name may sometimes appear as incomplete. For further Item Name identification, the U.S. Federal Cataloging Handbook H6-1 can be utilized where possible.

## ABBREVIATIONS

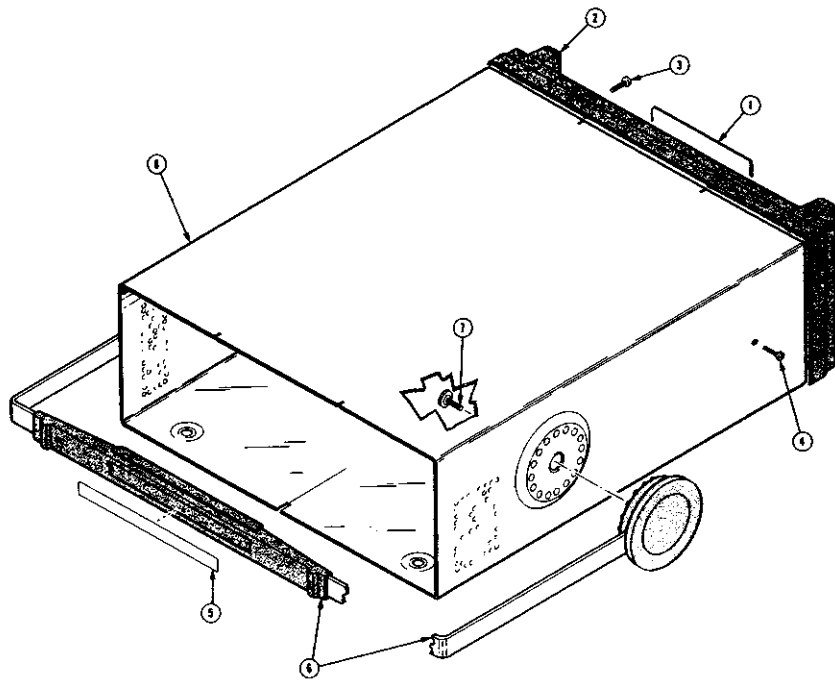
INCH	ELCTRN	ELECTRON	IN	INCH	SE	SINGLE END
* NUMBER SIZE	ELEC	ELECTRICAL	INCAND	INCANDESCENT	SECT	SECTION
ACTR ACTUATOR	ELCTLT	ELECTROLYTIC	INSUL	INSULATOR	SEMICON	SEMICONDUCTOR
ADPTR ADAPTER	ELEM	ELEMENT	INTL	INTERNAL	SHLD	SHIELD
ALIGN ALIGNMENT	EPL	ELECTRICAL PARTS LIST	LPHLDR	LAMPHOLDER	SHLDR	SHOULDERED
AL ALUMINUM	EQPT	EQUIPMENT	MACH	MACHINE	SKT	SOCKET
ASSEM ASSEMBLED	EXT	EXTERNAL	MECH	MECHANICAL	SL	SLIDE
ASSY ASSEMBLY	FIL	FILLISTER HEAD	MTG	MOUNTING	SLFLKG	SELF-LOCKING
ATTEN ATTENUATOR	FLEX	FLEXIBLE	NIP	NIPPLE	SLVG	SLEEVING
AWG AMERICAN WIRE GAGE	FLH	FLAT HEAD	NON WIRE	NOT WIRE WOUND	SPR	SPRING
BD BOARD	FLTR	FILTER	OBD	ORDER BY DESCRIPTION	SQ	SQUARE
BRKT BRACKET	FR	FRAME or FRONT	OD	OUTSIDE DIAMETER	SST	STAINLESS STEEL
BRS BRASS	FSTNR	FASTENER	OVB	OVAL HEAD	STL	STEEL
BRZ BRONZE	FT	FOOT	PH BRZ	PHOSPHOR BRONZE	SW	SWITCH
BSHG BUSHING	FXD	FIXED	PL	PLAIN or PLATE	T	TUBE
CAB CABINET	GSKT	GASKET	PLSTC	PLASTIC	TERM	TERMINAL
CAP CAPACITOR	HDL	HANDLE	PN	PART NUMBER	THD	THREAD
CER CERAMIC	HEX	HEXAGON	PNH	PAN HEAD	THK	THICK
CHAS CHASSIS	HEX HD	HEXAGONAL HEAD	PWR	POWER	TNSN	TENSION
CKT CIRCUIT	HEX SOC	HEXAGONAL SOCKET	RCPT	RECEPTACLE	TPG	TAPPING
COMP COMPOSITION	HLCPS	HELICAL COMPRESSION	RES	RESISTOR	TRH	TRUSS HEAD
CONN CONNECTOR	HLEXT	HELICAL EXTENSION	RGD	RIGID	V	VOLTAGE
COV COVER	HV	HIGH VOLTAGE	RLF	RELIEF	VAR	VARIABLE
CPLG COUPLING	IC	INTEGRATED CIRCUIT	RTNR	RETAINER	W/	WITH
CRT CATHODE RAY TUBE	ID	INSIDE DIAMETER	SCH	SOCKET HEAD	WSHR	WASHER
DEG DEGREE	IDNT	IDENTIFICATION	SCOPE	OSCILLOSCOPE	XFMR	TRANSFORMER
DWR DRAWER	IMPLR	IMPELLER	SCR	SCREW	XSTR	TRANSISTOR

CROSS INDEX—MFR. CODE NUMBER TO MANUFACTURER

Mfr. Code	Manufacturer	Address	City, State, Zip
00779	AMP, INC.	P O BOX 3608	HARRISBURG, PA 17105
01536	CAMCAR DIV OF TEXTRON INC. SEMS PRODUCTS UNIT	1818 CHRISTINA ST.	ROCKFORD, IL 61108
02768	ILLINOIS TOOL WORKS, INC., FASTEX DIV.	195 ALGONQUIN ROAD	DES PLAINES, IL 60016
05129	KILO ENGINEERING COMPANY	2015 D	LA VERNE, CA 91750
06383	PANDUIT CORPORATION	17301 RIDGELAND	TINLEY PARK, IL 60477
12327	FREEWAY CORPORATION	9301 ALLEN DRIVE	CLEVELAND, OH 44125
12697	CLAROSTAT MFG. CO., INC.	LOWER WASHINGTON STREET	DOVER, NH 03820
13511	AMPHENOL CARDRE DIV., BUNKER RAMO CORP.		LOS GATOS, CA 95030
16428	BELDEN CORP.	P. O. BOX 1331	RICHMOND, IN 47374
22526	BERG ELECTRONICS, INC.	YOUK EXPRESSWAY	NEW CUMBERLAND, PA 17070
24931	SPECIALITY CONNECTOR CO., INC.	2620 ENDRESS PLACE	GREENWOOD, IN 46142
71400	BUSSMAN MFG., DIVISION OF MCGRAW-EDISON CO.	2536 W. UNIVERSITY ST.	ST. LOUIS, MO 63107
73743	FISCHER SPECIAL MFG. CO.	446 MORGAN ST.	CINCINNATI, OH 45206
77820	BENDIX CORP., THE, ELECTRICAL COMPONENTS DIVISION	SHERMAN AVE.	SIDNEY, NY 13838
78189	ILLINOIS TOOL WORKS, INC. SHAKEPROOF DIVISION	ST. CHARLES ROAD	ELGIN, IL 60120
80009	TEKTRONIX, INC.	P O BOX 500	BEAVERTON, OR 97077
80126	PACIFIC ELECTRICORD CO.	747 W. REDONDO BEACH, P O BOX 10	GARDENA, CA 90247
83385	CENTRAL SCREW CO.	2530 CRESCENT DR.	BROADVIEW, IL 60153
89663	REESE, J. RAMSEY, INC.	71 MURRAY STREET	NEW YORK, NY 10007
93907	TEXTRON INC. CAMCAR DIV	600 18TH AVE	ROCKFORD, IL 61101
S3109	C/O PANEL COMPONENTS CORP.	P.O. BOX 6626	SANTA ROSA, CA 95406
S3629	PANEL COMPONENTS CORP.	2015 SECOND ST.	BERKELEY, CA 94170

## Replaceable Mechanical Parts—2235 Service

Fig. & Index No.	Tektronix Part No.	Serial/Model No.		Qty	1	2	3	4	5	Name & Description	Mfr Code	Mfr Part Number
		Eff	Dscont									
1-1	334-5001-06			1						MARKER,IDENT:MARKED CAUTION U.S.A.	80009	334-5001-06
	334-5001-07			1						MARKER,IDENT:MARKED CAUTION U.K.	80009	334-5001-07
-2	200-2538-00			1						COVER,REAR:PLASTIC	80009	200-2538-00
										*****ATTACHING PARTS*****		
-3	211-0691-00			2						SCREW,MACHINE:6-32 X 0.625,PNH	01536	OBD
										*****END ATTACHING PARTS*****		
-4	213-0882-00			1						SCREW,TAPPING:6-32 X 0.437 TYPE C	01536	OBD
-5	334-4714-00			1						MARKER,IDENT:MARKED HANDLE TAG	80009	334-4714-00
-6	367-0289-00			1						HANDLE,CARRYING:13.855,SST	80009	367-0289-00
										*****ATTACHING PARTS*****		
-7	212-0144-00			2						SCREW,TPG,TF:8-16 X 0.562 L	93907	225-38131-012
										*****END ATTACHING PARTS*****		
-8	390-0790-06			1						CABINET,SCOPE:W/FEET	80009	390-0790-00



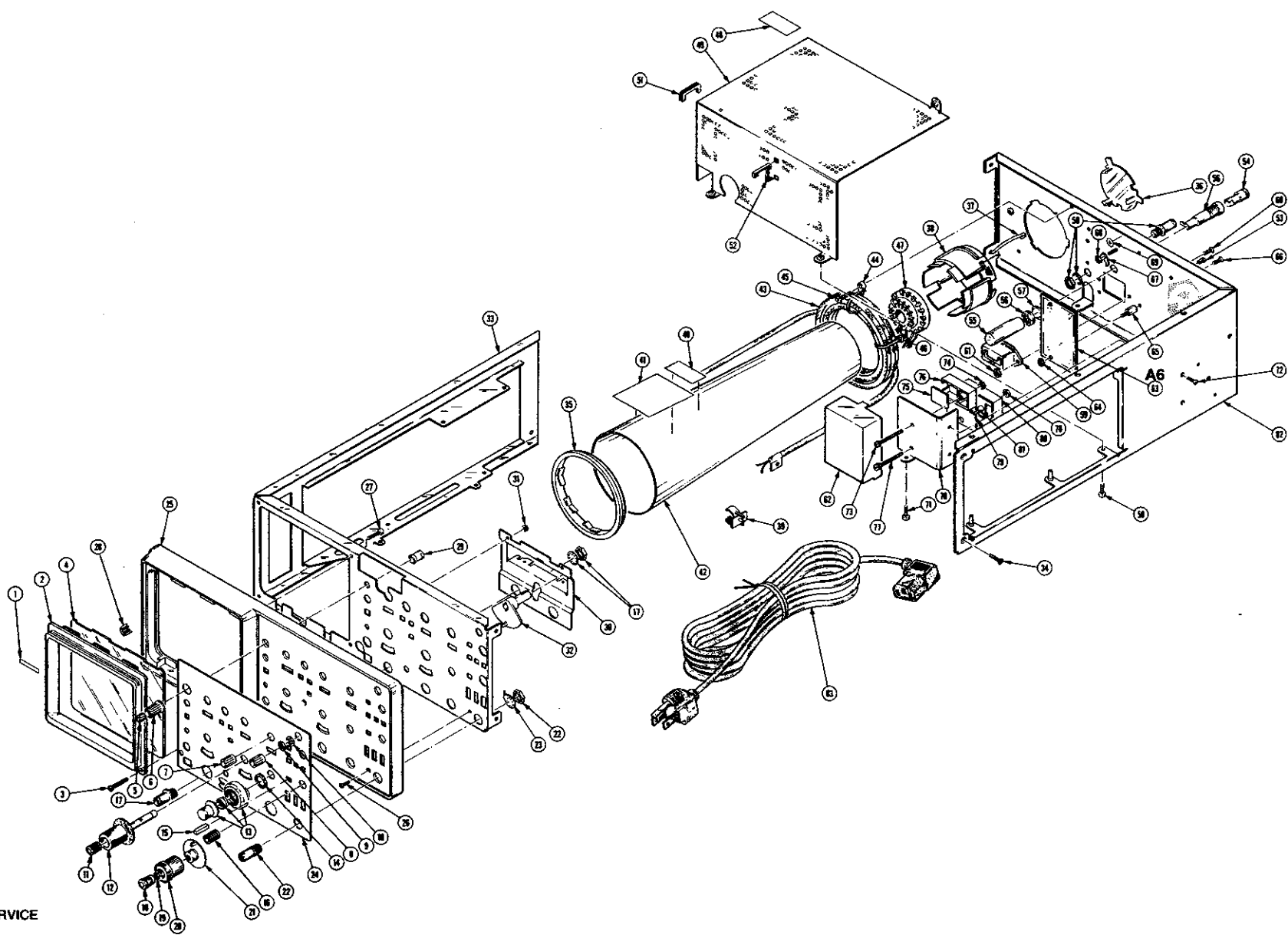


Fig. & Index No.	Tektronix Part No.	Serial/Model No. Eff	Dscont	Qty	1 2 3 4 5	Name & Description	Mfr Code	Mfr Part Number
2-1	334-5002-00			1		PLATE,IDENT:MKD TEKTRONIX	80009	334-5002-00
-2	426-1765-00			1		FRAME,CRT: *****ATTACHING PARTS*****	80009	426-1765-00
-3	211-0690-01			2		SCREW,MACHINE:6-32 X 0.875 PNH,TORX DR,SLO *****END ATTACHING PARTS*****	93907	OBD
-4	337-2775-00			1		SHLD,IMPLOSION:	80009	337-2775-00
-5	366-1391-03			1		KNOB:DOVE GRAY,0.081 ID X 0.28 OD X 0.32 H	80009	366-1391-03
-6	366-2146-03			1		KNOB:DOVE GRAY,0.235 ID X 0.5 OD X 0.531 H	80009	366-2146-03
-7	366-1833-01			4		KNOB:DOVE GRAY,0.25 ID X 0.392 OD X 0.466	80009	366-1833-01
-8	366-1701-01			1		KNOB:GY,0.127 ID X 0.392 OD X 0.	80009	366-1701-01
-9	210-0583-00			1		NUT,PLAIN,HEX:0.25-32 X 0.312 INCH,BRS	73743	2X20317-402
-10	210-0021-00			1		WASHER,LOCK:INTL,0.476 ID X 0.60"OD ST	78189	1222-01-00-0541C
-11	366-2152-00			2		KNOB:DOVE GRAY,0.284 ID X 0.392 OD X 0.466	80009	366-2152-00
-12	366-2148-01			2		KNOB:GY,VOLTS/DIV,0.72 OD,0.79H	80009	366-2148-01
-13	331-0328-00			1		DIAL,CONTROL:10 TURN FOR 0.25 DIA SHAFT	05129	461-S-70
-14	210-0840-00			1		WASHER,FLAT:0.39 ID X 0.562 INCH OD,STL	89663	644R
-15	366-2013-00			9		PUSH,BUTTON:DIRTY GRAY,0.134 SQ X 0.480	80009	366-2013-00
-16	366-2049-00			2		KNOB:GY,0.712 ID X 0.41 OD X 0.496 H,W/BAR	80009	366-2049-00
-17	131-0126-00			2		CONNECTOR,RCPT,;BNC,FEMALE	77820	9663-1 NT-34
-18	366-2151-01			1		KNOB:FLINT GRAY,0.22 ID X 0.392 OD X 0.466	80009	366-2151-01
-19	210-0583-00			1		NUT,PLAIN,HEX:0.25-32 X 0.312 INCH,BRS	73743	2X20317-402
-20	366-1840-02			1		KNOB:GY,TIME/DIV,0.127 ID X 0.855	80009	366-1840-02
-21	366-1850-00			1		KNOB:CLEAR,0.252 ID X 1.2 OD X 0	80009	366-1850-00
-22	131-0955-00			1		CONN,RCPT,ELEC:BNC,FEMALE	13511	31-279
-23	210-0255-00			1		TERMINAL,LUG:0.391 ID,LOCKING,BRS CD PL	80009	210-0255-00
-24	333-2918-00			1		PANEL,FRONT:	80009	333-2918-00
-25	386-4850-00			1		SUBPANEL,FRONT: *****ATTACHING PARTS*****	80009	386-4850-00
-26	213-0881-00			3		SCREW,TAPPING:6-32 X 0.25 TYPE C	01536	OBD
-27	213-0882-00			2		SCREW,TAPPING:6-32 X 0.437 TYPE C *****END ATTACHING PARTS*****	01536	OBD
-28	348-0660-00			4		CUSHION,CRT:POLYURETHANE	80009	348-0660-00
-29	361-1192-00			1		SPACER,SLEEVE:0.45 L X 0.25 ID,AL	80009	361-1192-00
-30	407-2824-00			1		BRACKET,GROUND:PANEL *****ATTACHING PARTS*****	80009	407-2824-00
-31	210-0586-00			2		NUT,PL,ASSEM WA:4-40 X 0.25,STL *****END ATTACHING PARTS*****	83385	OBD
-32	214-3375-00			2		LEVER,SWITCH:AC-GND-DC,PLASTIC	80009	214-3375-00
-33	441-1631-00			1		CHASSIS,SCOPE:FRONT	80009	441-1631-00
-34	213-0881-00			4		SCREW,TAPPING:6-32 X 0.25 TYPE C	01536	OBD
-35	386-4443-00			1		SUPPORT,SHIELD:CRT,FRONT,PLASTIC	80009	386-4443-00
-36	200-2519-00			1		CAP.,CRT SOCKET:NATURAL LEXAN	80009	200-2519-00
-37	214-1061-05			1		SPRING,GROUND:PLATED	80009	214-1061-05
-38	426-1766-00			1		MOUNT,RESILIENT:CRT,REAR	80009	426-1766-00
-39	344-0347-00			1		CLIP,ELECTRICAL:ANODE,0.72 OD,NYLON	80009	344-0347-00
-40	334-1379-00			1		LABEL:CRT,ADHESIVE BACK	80009	334-1379-00
-41	334-1951-00			1		MARKER,IDENT:CRT WARNING	80009	334-1951-00
-42	337-2774-00			1		SHIELD,ELEC:CRT,STEEL	80009	337-2774-00
-43	-----			1		DELAY LINE,ELEC:93NS,150 OHM,ASSY (SEE DL9210 CHASSIS REPL)		
-44	346-0121-00			2		STRAP,ELEC COMP:TIE DOWN,5.0 LONG *****ATTACHING PARTS*****	06383	PLC1.5I-S8
-45	213-0882-00			2		.SCREW,TAPPING:6-32 X 0.437 TYPE C *****END ATTACHING PARTS*****	01536	OBD
-46	346-0128-00			1		.STRAP,TIE DOWN:0.1W X 8.0" LONG,NYLON	06383	PLT2M
-47	136-0202-08			1		SKT,PL-IN ELEK:ELECTRON TUBE,14 CONTACT	80009	136-0202-08
-48	334-4251-00			1		MARKER,IDENT:MKD CAUTION	80009	334-4251-00
-49	337-2772-00			1		SHIELD,ELEC:POWER SUPPLY,AL *****ATTACHING PARTS*****	80009	337-2772-00
-50	211-0304-00			3		SCREW,MACHINE:4-40 X 0.312,PNH *****END ATTACHING PARTS*****	01536	OBD
-51	348-0555-00			1		GROMMET,PLASTIC:SIL GY,U SHAPE,0.52 ID	80009	348-0555-00
-52	344-0334-00			1		CLIP,CIRCUIT BD:PLASTIC	80009	344-0334-00

# Replaceable Mechanical Parts—2235 Service

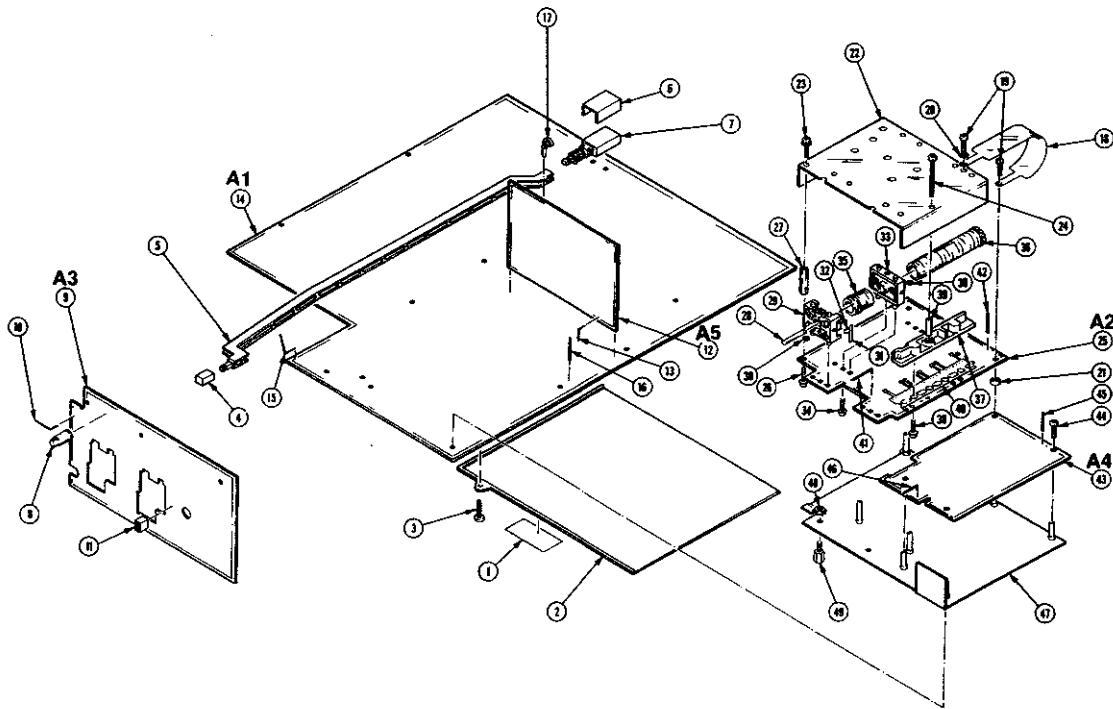
Fig. & Index No.	Tektronix Part No.	Serial/Model No.		Qty	Name & Description					Mfr Code	Mfr Part Number
		Eff	Dscont		1	2	3	4	5		
2-53	134-0158-00			2	BUTTON,PLUG:0.187 DIA,NYLON					02768	207-080501-00
-54	200-2264-00			1	CAP.,FUSEHOLDER:3AG FUSES					S3629	FEK 031 1666
-55	200-1388-03			1	COVER,FUSE,LEAD:POLYURETHANE					80009	200-1388-03
-56	204-0833-00			1	BODY,FUSEHOLDER:3AG & 5 X 20MM FUSES					S3629	031.1653(MDLFEU)
-57	210-1039-00			1	WASHER,LOCK:INT,0.521 ID X 0.625 INCH O					24931	OBD
-58	131-0955-00			1	CONN,RCPT,ELEC:BNC,FEMALE					13511	31-279
-59	-----			1	FILTER,RFI:1A,250VAC						
	-----			-	(SEE FL9001 CHASSIS REPL)						
					*****ATTACHING PARTS*****						
-60	211-0323-00			2	SCREW,MACHINE:4-40 X 0.312,FLH,100 DEG					83385	OBD
-61	210-0583-00			2	NUT,PLAIN,HEX:0.25-32 X 0.312 INCH,BRS					73743	2X20317-402
					*****END ATTACHING PARTS*****						
-62	200-2845-00			1	COVER,CKT BD:LINE FILTER					80009	200-2845-00
-63	670-7615-00			1	CKT BOARD ASSY:EMI FILTER BOARD					80009	670-7615-00
	-----			-	(SEE A6 REPL)						
					*****ATTACHING PARTS*****						
-64	210-0586-00			2	NUT,PL,ASSEM WA:4-40 X 0.25,STL					83385	OBD
					*****END ATTACHING PARTS*****						
-65	129-0339-00			2	POST,ELEC-MECH:0.27 LONG X 0.25 HEX BRS					80009	129-0339-00
					*****ATTACHING PARTS*****						
-66	211-0303-00			2	SCREW,MACHINE:4-40 X 0.25,FLH 100 DEG					01536	OBD
					*****END ATTACHING PARTS*****						
-67	210-0202-00			1	TERMINAL,LUG:0.146 ID,LOCKING,BRZ TINNED					78189	2104-06-00-2520N
					*****ATTACHING PARTS*****						
-68	210-0457-00			1	NUT,PL,ASSEM WA:6-32 X 0.312,STL CD PL					83385	OBD
					*****END ATTACHING PARTS*****						
-69	334-3379-02			1	MARKER,IDENT:MARKED GROUND SYMBOL					80009	334-3379-02
-70	407-2729-00			1	BRACKET,HEAT SK:AL					80009	407-2729-00
					*****ATTACHING PARTS*****						
-71	211-0304-00			1	SCREW,MACHINE:4-40 X 0.312,PNH					01536	OBD
-72	210-0586-00			2	NUT,PL,ASSEM WA:4-40 X 0.25,STL					83385	OBD
					*****END ATTACHING PARTS*****						
-73	211-0302-00			1	SCREW,MACHINE:4-40 X 0.75,PNH					01536	OBD
-74	210-0586-00			1	NUT,PL,ASSEM WA:4-40 X 0.25,STL					83385	OBD
-75	342-0582-01			1	INSULATOR,PLATE:TRANSISTOR,CERAMIC					80009	342-0582-01
-76	343-1025-00			1	RETAINER,XSTR:					80009	343-1025-00
-77	211-0691-00			1	SCREW,MACHINE:6-32 X 0.625,PNH					01536	OBD
-78	210-0408-00			1	NUT,PLAIN,HEX.:6-32 X 0.312 INCH,BRS					73743	3040-402
-79	342-0555-00			1	INSULATOR,PLATE:HEAT SINK,AL					80009	342-0555-00
-80	343-0969-00			1	RETAINER,XSTR:POLYPHENYLENE SULFIDE					80009	343-0969-00
-81	361-1047-00			1	SPACER,VAR RES:0.3 X 0.615 X 0.55					80009	361-1047-00
-82	441-1536-01			1	CHASSIS,SCOPE:REAR					80009	441-1536-01
-83	161-0104-00			1	CABLE ASSY,PWR.:3 WIRE,98.0" LONG					16428	KH8352
	-----			-	(ALSO SEE STANDARD ACCESSORIES)						
	161-0104-06			1	CABLE ASSY,PWR:3 X 0.75MM SQ,220V,98.0L					S3109	OBD
	-----			-	(OPTION A1 EUROPEAN)						
	161-0104-07			1	CABLE ASSY,PWR:3 X 0.75MM SQ,240V,98.0 L					80126	OBD
	-----			-	(OPTION A2 UNITED KINGDOM)						
	161-0104-05			1	CABLE ASSY,PWR:3,18 AWG,240V,98.0 L					S3109	OBD
	-----			-	(OPTION A3 AUSTRALIAN)						
	161-0104-08			1	CABLE ASSY,PWR:3,18 AWG,240V,98.0 L					80126	OBD
	-----			-	(OPTION A4 NORTH AMERICAN)						
	161-0167-00			1	CABLE ASSY,PWR:3.0 X 0.75,6A,240V,2.5M					S3109	OBD
	-----			-	(OPTION A5)						

Fig. & Index No.	Tektronix Part No.	Serial/Model No. Eff Dscont	Qty	1 2 3 4 5	Name & Description	Mfr Code	Mfr Part Number
3-1	334-4251-00		1		MARKER,IDENT:MKD CAUTION	80009	334-4251-00
-2	337-2773-00		1		SHIELD,ELEC:POWER SUPPLY,LOWER,PLSTC ***** (ATTACHING PARTS) *****	80009	337-2773-00
-3	211-0304-00		1		SCREW,MACHINE:4-40 X 0.312,PNH ***** (END ATTACHING PARTS) *****	01536	OBD
-4	366-1480-02		1		PUSH BUTTON:GRAY	80009	366-1480-02
-5	384-1576-01		1		EXTENSION SHAFT:12.809 L,PLASTIC	80009	384-1576-01
-6	200-2735-00		1		COVER,POWER SW:	80009	200-2735-00
-7	-----		1		SWITCH,PUSH:DPDT,4A,250VAC,W/BRKT (SEE A1S901 REPL)		
-8	377-0512-00		6		INSERT,KNOB:0.125 ID X 0.663 L,AL	80009	377-0512-00
-9	670-7611-00		1		CKT BOARD ASSY:FRONT PANEL (SEE A3 REPL)	80009	670-7611-00
-10	131-0608-00		2		.TERMINAL,PIN:0.365 L X 0.025 PH BRZ GOLD	22526	47357
-11	136-0499-02		3		.CONNECTOR,RCPT.:2 CONTACT	00779	3-380949-2
-12	670-7612-00		1		CKT BOARD ASSY:ALTERNATE SWEEP (SEE A5 REPL)	80009	670-7612-00
-13	131-0589-00		27		.TERMINAL,PIN:0.46 L X 0.025 SQ	22526	48283-029
-14	670-7560-00		1		CKT BOARD ASSY:MAIN (SEE A1 REPL)	80009	670-7560-00
-15	131-0608-00		3		.TERMINAL,PIN:0.365 L X 0.025 PH BRZ GOLD	22526	47357
-16	131-0589-00		7		.TERMINAL,PIN:0.46 L X 0.025 SQ	22526	48283-029
-17	343-0088-00		1		.CLAMP,LOOP:0.062 INCH DIA	80009	343-0088-00
	672-1064-00		1		CKT BOARD ASSY:ATTENUATOR/TIMING	80009	672-1064-00
-18	346-0196-00		1		.STRAP,GROUND:ATTEN,3.0 X 0.75 ***** (ATTACHING PARTS) *****	80009	346-0196-00
-19	211-0325-00		2		.SCR,ASSEM WSHR:4-40 X 0.25,PNH,TORX DRIVE	01536	OBD
-20	210-0801-00		1		.WASHER,FLAT:0.14 ID X 0.025 THK,BRS NI ***** (END ATTACHING PARTS) *****	12327	OBD
-21	361-1191-00		1		.SPACER,CKT BD:0.222 X 0.125 X 0.25	80009	361-1191-00
-22	337-3014-00		1		.SHIELD,ELEC:ATTENUATOR TOP ***** (ATTACHING PARTS) *****	80009	337-3014-00
-23	211-0325-00		1		.SCR,ASSEM WSHR:4-40 X 0.25,PNH,TORX DRIVE	01536	OBD
-24	211-0326-00		2		.SCREW,MACHINE:4-40 X 1.25,PNH,TORX DRIVE ***** (END ATTACHING PARTS) *****	93907	OBD
-25	670-7561-00		1		.CKT BOARD ASSY:ATTENUATOR (SEE A2 REPL) ***** (ATTACHING PARTS) *****	80009	670-7561-00
-26	211-0325-00		1		.SCR,ASSEM WSHR:4-40 X 0.25,PNH,TORX DRIVE	01536	OBD
-27	129-0986-00		1		.SPACER,POST:0.966 L,4-40 THD BOTH ENDS ***** (END ATTACHING PARTS) *****	80009	129-0986-00
-28	384-1056-00		2		..EXTENSION SHAFT:0.125 OD X 6.58 INCH LON	80009	384-1056-00
	376-0209-00		2		..CPLG SHAFT,RGD:0.127 ID,PLASTIC	80009	376-0209-00
-29	401-0370-00		4		..BEARING,CAM SW:END,0.6 DIA	80009	401-0370-00
-30	210-0406-00		4		..NUT,PLAIN,HEX.:4-40 X 0.188 INCH,BRS	73743	12161-50
-31	214-1126-01		6		..SPRING,FLAT:0.7 X 0.125,CU BE GRN CLR	80009	214-1126-01
	214-1126-02		2		..SPRING,FLAT:RED COLORED	80009	214-1126-02
-32	214-1752-00		8		..ROLLER,DETENT:	80009	214-1752-00
-33	401-0369-00		2		..BEARING,CAM SW:CENTER,0.6 DIA ***** (ATTACHING PARTS) *****	80009	401-0369-00
-34	311-0325-00		2		..RES.,VAR,NONWIR:2.5M OHM,20% ***** (END ATTACHING PARTS) *****	12697	381-CM39666
-35	105-0934-00		2		..ACTUATOR,CAM SW:AC-GND-DC	80009	105-0934-00
-36	105-0935-00		2		..ACTUATOR,CAM SW:ATTENUATOR	80009	105-0935-00
-37	343-1020-00		2		..RETAINER,CONT:ABS GRAY ***** (ATTACHING PARTS) *****	80009	343-1020-00
-38	211-0325-00		4		..SCR,ASSEM WSHR:4-40 X 0.25,PNH,TORX DRIV ***** (END ATTACHING PARTS) *****	01536	OBD
-39	361-1193-00		2		..SPACER,SLEEVE:0.555 L X 0.13 ID	80009	361-1193-00
-40	131-1758-11		2		..CONT ASSY,ELEC:8 CONTACTS	80009	131-1758-11
	131-1758-12		2		..CONT ASSY,ELEC:8 CONTACTS	80009	131-1758-12
-41	131-0787-00		2		..CONTACT,ELEC:0.64 INCH LONG	22526	47359
-42	131-0608-00		11		..TERMINAL,PIN:0.365 L X 0.025 PH BRZ GOLD	22526	47357



# Replaceable Mechanical Parts—2235 Service

Fig. & Index No.	Tektronix Part No.	Serial/Model No.		Qty						Name & Description	Mfr Code	Mfr Part Number
		Eff	Dscont		1	2	3	4	5			
3-43	670-7613-00			1						.CKT BOARD ASSY:TIMING (SEE A4 REPL) .....(ATTACHING PARTS).....	80009	670-7613-00
-44	211-0325-00			3						.SCR,ASSEM WSHR:4-40 X 0.25,PNH,TORX DRIVE .....(END ATTACHING PARTS).....	01536	OBD
-45	131-0608-00			18						..TERMINAL,PIN:0.365 L X 0.025 PH BRZ GOLD	22526	47357
-46	131-0787-00			4						..CONTACT,ELEC:0.64 INCH LONG	22526	47359
-47	337-2944-00			1						.SHIELD,ELEC:SW BOARDS,BOTTOM	80009	337-2944-00
-48	210-0406-00			2						.NUT,PLAIN,HEX.:4-40 X 0.188 INCH,BRS	73743	12161-50
-49	129-0906-00			2						.SPACER,POST:0.685 L W/4-40 INT & EXT TH	80009	129-0906-00



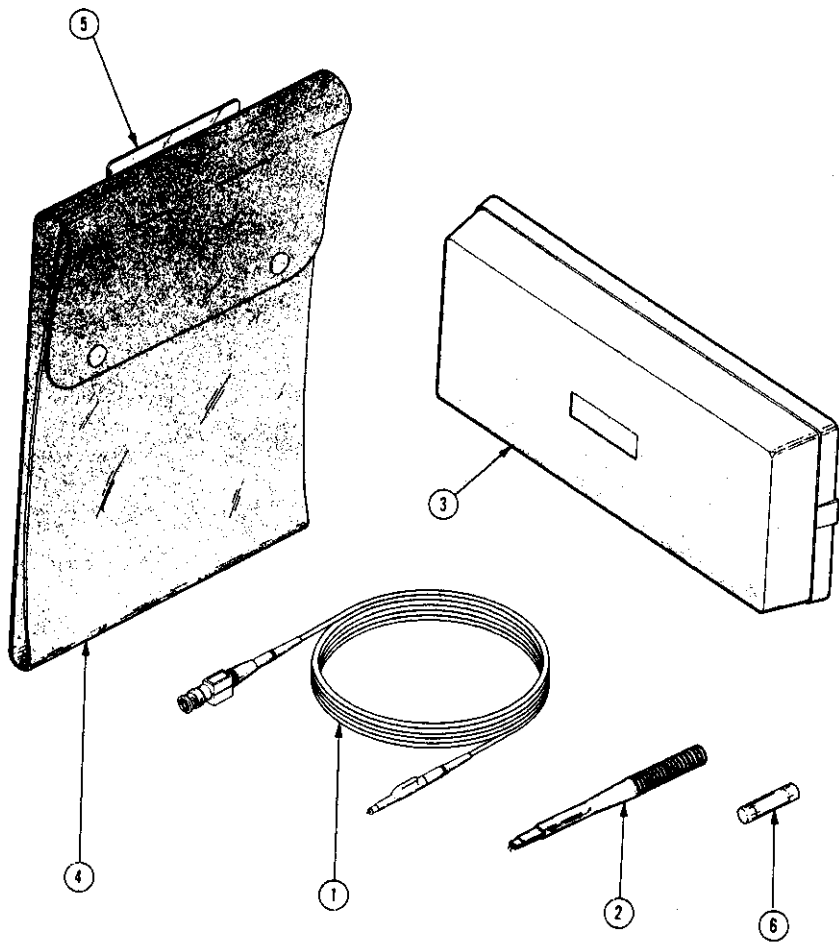


Fig. & Index No.    Tektronix Part No.    Serial/Model No. Eff    Dscont    Qty    1    2    3    4    5    Name & Description    Mfr Code    Mfr Part Number

STANDARD ACCESSORIES

-1	010-6122-01				2	PROBE, VOLTAGE: P6122, 1.5 METER, 10X W/ACCESS	80009	010-6122-01
	161-0104-00			1	CABLE ASSY, PWR, : 3 WIRE, 98.0" LONG	16428	KH8352	
	070-4206-00			1	MANUAL, TECH: SERVICE, 2235 OSCILLOSCOPE	80009	070-4206-00	
	070-4207-00			1	MANUAL, TECH: OPERATORS, 2235 OSCILLOSCOPE	80009	070-4207-00	

OPTIONAL ACCESSORIES

-2	013-0191-00			2	TIP, PROBE: W/ACTUATOR	80009	013-0191-00
	020-0672-00			1	ACCESSORY KIT:	80009	020-0672-00
-3	200-2520-00			1	. COVER, SCOPE: FRONT	80009	200-2520-00
	016-0677-00			1	. POUCH, ACCESSORY:	80009	016-0677-00
-4	016-0535-01			1	. . POUCH, ACCESSORY:	80009	016-0535-01
-5	386-4647-01			1	. . . PLATE, MOUNTING: BACK, ALUM	80009	386-4647-01
-6	159-0019-00			1	. . . FUSE CARTRIDGE: 3AG, 1A, 250V, SLO-BLO	71400	MDL1
				1	C5C OPTION 4 CAMERA		
				-	(SEE MANUAL 070-2824-XX)		
				1	200C OR 200D SCOPEMOBILES		
				-	(SEE DATA SHEETS 062-1538-00 OR 062-6644-00)		
	016-0466-00			1	ADAPTER, RACK:	80009	016-0466-00
				-	(SEE MANUAL 070-4186-XX)		

ACCESSORIES