

REPLACEABLE MECHANICAL PARTS

PARTS ORDERING INFORMATION

Replacement parts are available from or through your local Tektronix, Inc. Field Office or representative.

Changes to Tektronix instruments are sometimes made to accommodate improved components as they become available, and to give you the benefit of the latest circuit improvements developed in our engineering department. It is therefore important, when ordering parts, to include the following information in your order: Part number, instrument type or number, serial number, and modification number if applicable.

If a part you have ordered has been replaced with a new or improved part, your local Tektronix, Inc. Field Office or representative will contact you concerning any change in part number.

Change information, if any, is located at the rear of this manual.

SPECIAL NOTES AND SYMBOLS

X000 Part first added at this serial number
00X Part removed after this serial number

FIGURE AND INDEX NUMBERS

Items in this section are referenced by figure and index numbers to the illustrations.

INDENTATION SYSTEM

This mechanical parts list is indented to indicate item relationships. Following is an example of the indentation system used in the description column.

```

1 2 3 4 5           Name & Description
Assembly and/or Component
Attaching parts for Assembly and/or Component
-----
Detail Part of Assembly and/or Component
Attaching parts for Detail Part
-----
Parts of Detail Part
Attaching parts for Parts of Detail Part
-----

```

Attaching Parts always appear in the same indentation as the item it mounts, while the detail parts are indented to the right. Indented items are part of, and included with, the next higher indentation. The separation symbol --- * --- indicates the end of attaching parts.

Attaching parts must be purchased separately, unless otherwise specified.

ITEM NAME

In the Parts List, an Item Name is separated from the description by a colon (:). Because of space limitations, an Item Name may sometimes appear as incomplete. For further Item Name identification, the U.S. Federal Cataloging Handbook H6-1 can be utilized where possible.

ABBREVIATIONS

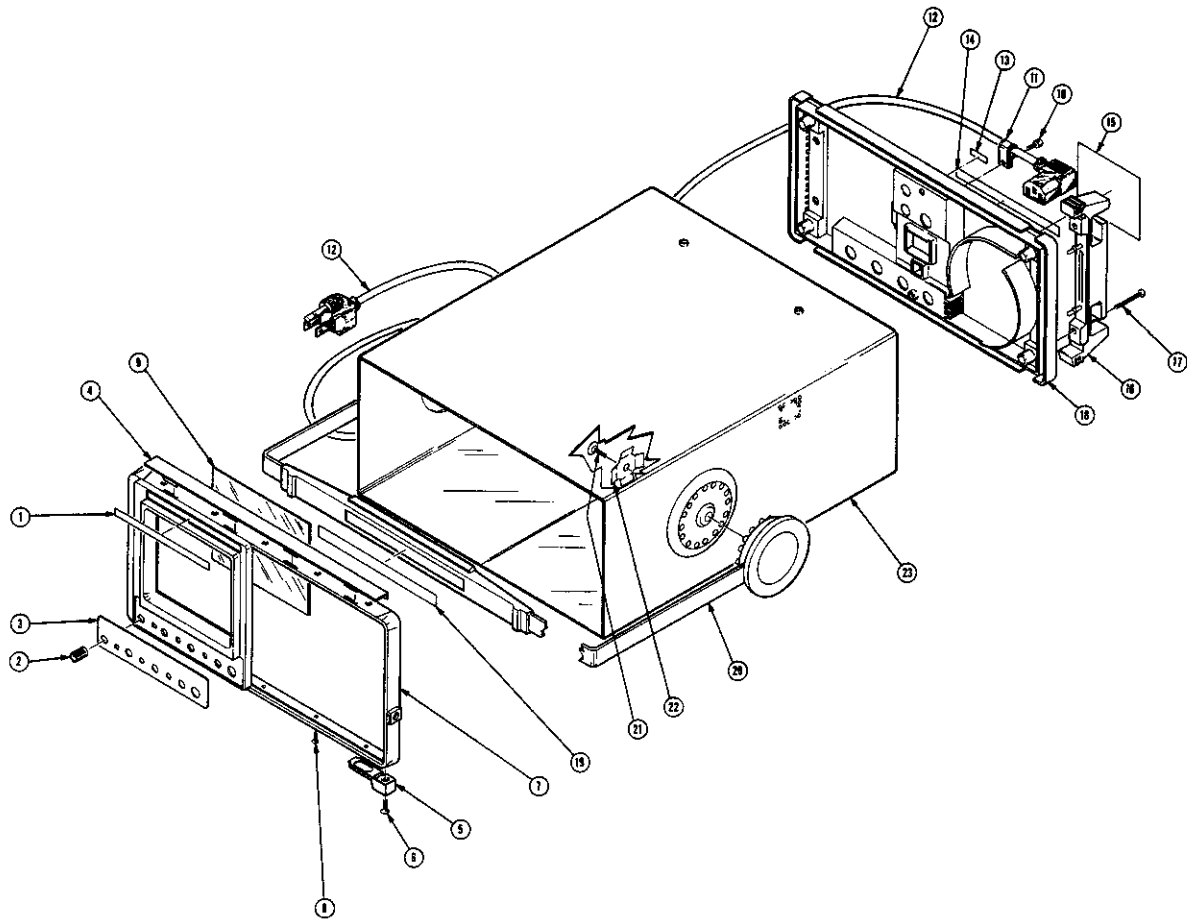
#	INCH	ELECTRN	ELECTRON	IN	INCH	SE	SINGLE END
ACTR	NUMBER SIZE	ELEC	ELECTRICAL	INCAND	INCANDESCENT	SECT	SECTION
ADPTR	ACTUATOR	ELECTLT	ELECTROLYTIC	INSUL	INSULATOR	SEMICON	SEMICONDUCTOR
ALIGN	ADAPTER	ELEM	ELEMENT	INTL	INTERNAL	SHLD	SHIELD
AL	ALIGNMENT	EPL	ELECTRICAL PARTS LIST	LPHLDR	LAMPHOLDER	SHLDR	SHOULDERED
ASSEM	ALUMINUM	EOPT	EQUIPMENT	MACH	MACHINE	SKT	SOCKET
ASSY	ASSEMBLED	EXT	EXTERNAL	MECH	MECHANICAL	SL	SLIDE
ATTEN	ASSEMBLY	FIL	FILLISTER HEAD	MTG	MOUNTING	SLFLKG	SELF-LOCKING
AWG	ATTENUATOR	FLEX	FLEXIBLE	NIP	NIPPLE	SLVG	SLEEVING
BD	AMERICAN WIRE GAGE	FLH	FLAT HEAD	NON WIRE	NOT WIRE WOUND	SPR	SPRING
BRKT	BOARD	FLTR	FILTER	OBD	ORDER BY DESCRIPTION	SQ	SQUARE
BRS	BRACKET	FR	FRAME or FRONT	OD	OUTSIDE DIAMETER	SST	STAINLESS STEEL
BRZ	BRASS	FSTNR	FASTENER	OVH	OVAL HEAD	STL	STEEL
BSHG	BRONZE	FT	FOOT	PH BRZ	PHOSPHOR BRONZE	SW	SWITCH
CAB	BUSHING	FXD	FIXED	PL	PLAIN or PLATE	T	TUBE
CAP	CABINET	GSKT	GASKET	PLSTC	PLASTIC	TERM	TERMINAL
CER	CAPACITOR	HDL	HANDLE	PN	PART NUMBER	THD	THREAD
CHAS	CERAMIC	HEX	HEXAGON	PNH	PAN HEAD	THK	THICK
CKT	CHASSIS	HEX HD	HEXAGONAL HEAD	PWR	POWER	TNSN	TENSION
COMP	CIRCUIT	HEX SOC	HEXAGONAL SOCKET	RCPT	RECEPTACLE	TPG	TAPPING
CONN	COMPOSITION	HLCPS	HELICAL COMPRESSION	RES	RESISTOR	TRH	TRUSS HEAD
COV	CONNECTOR	HLEXT	HELICAL EXTENSION	RGD	RIGID	V	VOLTAGE
CPLG	COVER	HV	HIGH VOLTAGE	RLF	RELIEF	VAR	VARIABLE
CRT	COUPLING	IC	INTEGRATED CIRCUIT	RTNR	RETAINER	W/	WITH
DEG	CATHODE RAY TUBE	ID	INSIDE DIAMETER	SCH	SOCKET HEAD	WSHR	WASHER
DWR	DEGREE	IDNT	IDENTIFICATION	SCOPE	OSCILLOSCOPE	XFMR	TRANSFORMER
	DRAWER	IMPLR	IMPELLER	SCR	SCREW	XSTR	TRANSISTOR

CROSS INDEX—MFR. CODE NUMBER TO MANUFACTURER

Mfr. Code	Manufacturer	Address	City, State, Zip
000BB	BERQUIST COMPANY	4350 WEST 78TH	MINNEAPOLIS, MN 55435
000BK	STAUFFER SUPPLY	105 SE TAYLOR	PORTLAND, OR 97214
000EL	PORTLAND SCREW CO.	6520 N. BASIN AVE.	PORTLAND, OR 97217
000EO	ZEPHER ELECTRONIC SALES CORP.	647 INDUSTRY DRIVE	SEATTLE, WA 98188
00779	AMP, INC.	P.O. BOX 3608	HARRISBURG, PA 17105
01536	CAMCAR DIV OF TEXTRON INC. SEMS PRODUCTS UNIT	1818 CHRISTINA ST.	ROCKFORD, IL 61108
05006	TWENTIETH CENTURY PLASTICS, INC.	415 E WASHINGTON BLVD.	LOS ANGELES, CA 90015
06915	RICHCO PLASTIC CO.	5825 N. TRIPP AVE.	CHICAGO, IL 60646
08922	BURNDY CORPORATION	RICHARDS AVENUE	NORWALK, CT 06852
12327	FREEWAY CORPORATION	9301 ALLEN DRIVE	CLEVELAND, OH 44125
16428	BELDEN CORP.	P. O. BOX 1331	RICHMOND, IN 47374
22181	ADVANCE MACHINE CORP	10200 AVIATION BLVD	LOS ANGELES, CA 90045
22526	BERG ELECTRONICS, INC.	YOUK EXPRESSWAY	NEW CUMBERLAND, PA 17070
24931	SPECIALITY CONNECTOR CO., INC.	2620 ENDRESS PLACE	GREENWOOD, IN 46142
28817	CAL-METEX CORP., SUBSIDIARY OF METEX CORP.	509 HINDRY AVE.	INGLEWOOD, CA 90301
50293	GENERAL ELECTRIC COMPANY, INSTALLATION AND SERVICE ENGINEERING DEPT.	1 RIVER ROAD	SCHENECTADY, NY 12306
54583	TDK ELECTRONICS CORP.	755 EASTGATE BLVD.	GARDEN CITY, NY 11530
70485	ATLANTIC INDIA RUBBER WORKS, INC.	571 W. POLK ST.	CHICAGO, IL 60607
71400	BUSSMAN MFG., DIVISION OF MCGRAW-EDISON CO.	2536 W. UNIVERSITY ST.	ST. LOUIS, MO 63107
73743	FISCHER SPECIAL MFG. CO.	446 MORGAN ST.	CINCINNATI, OH 45206
78189	ILLINOIS TOOL WORKS, INC. SHAKEPROOF DIVISION	ST. CHARLES ROAD	ELGIN, IL 60120
80009	TEKTRONIX, INC.	P O BOX 500	BEAVERTON, OR 97077
80033	PRESTOLE EVERLOCK, INC.	P. O. BOX 278,1345 MIAMI ST.	TOLEDO, OH 43605
82104	STANDARD GRIGSBY CO., DIV. OF SUN CHEMICAL CORPORATION	920 RATHBONE AVENUE	AURORA, IL 60507
83385	CENTRAL SCREW CO.	2530 CRESCENT DR.	BROADVIEW, IL 60153
86928	SEASTROM MFG. COMPANY, INC.	701 SONORA AVENUE	GLENDALE, CA 91201
90201	MALLORY CAPACITOR CO., DIV. OF P. R. MALLORY AND CO., INC.	3029 E. WASHINGTON STREET	INDIANAPOLIS, IN 46206
93907	TEXTRON INC. CAMCAR DIV	P. O. BOX 372	ROCKFORD, IL 61101
95987	WECKESSER CO., INC.	600 18TH AVE	CHICAGO, IL 60641
S3109	C/O PANEL COMPONENTS CORP.	4444 WEST IRVING PARK RD.	SANTA ROSA, CA 95406
S3629	PANEL COMPONENTS CORP.	P.O. BOX 6626	BERKELEY, CA 94170
T0032	POWELL ELECTRONICS	2015 SECOND ST.	MT. VIEW, CA 94040
T0171	ZEPHER ELECTRONICS	411 FAIRCHILD DR.	SEATTLE, WA 98188
T1105	J PHILLIP INDUSTRIES INC	647 INDUSTRY DRIVE	SEATTLE, WA 98188
T1161	DTM INDUSTRIES	5713 NORTHWEST HIGHWAY	CHICAGO, IL 60646
T1167	COLUMBINE PLASTICS	4725 NAUTILUS CT. SOUTH	BOULDER, CO 80301
T1288	PRODUCTION PARTS INC	3195 BLUFF ST	BOULDER, CO
		4288 SE INTERNATIONAL WAY	PORTLAND, OR 97222

Replaceable Mechanical Parts—2465 Service

Fig. & Index No.	Tektronix Part No.	Serial/Model No.		Qty	1 2 3 4 5					Name & Description	Mfr Code	Mfr Part Number
		Eff	Dscont									
1-1	334-4379-00			1						MARKER,IDENT:BLANK	80009	334-4379-00
-2	366-2041-01			4						KNOB::GY,BAR,0.172 ID X 0.410 OD	80009	366-2041-01
	377-0512-01			4						INSERT,KNOB:0.125 ID X 0.663 L,AL,0.247	80009	377-0512-01
	366-2036-00			1						PUSH BUTTON:GY,0.206 SQ,1.445 H	80009	366-2036-00
-3	333-2877-00			1						PANEL,FRONT:CRT	80009	333-2877-00
-4	200-2779-00			1						COVER, TOP:TRIM	80009	200-2779-00
-5	348-0740-00			2						FOOT,CABINET:BOTTOM FRONT,PLASTIC ***** (ATTACHING PARTS) *****	80009	348-0740-00
-6	211-0718-00			2						SCREW,MACHINE:6-32 X 0.312,FLH,100 DEG ***** (END ATTACHING PARTS) *****	93907	OBD
-7	101-0082-00	B010100	B019999	1						TRIM,DECORATIVE:FRONT,PLASTIC	80009	101-0082-00
	101-0082-01	B020000		1						TRIM,DECORATIVE:FRONT,PLASTIC ***** (ATTACHING PARTS) *****		
-8	211-0718-00			10						SCREW,MACHINE:6-32 X 0.312,FLH,100 DEG ***** (END ATTACHING PARTS) *****	93907	OBD
	214-3374-00	B010100	B011059	1						SPRING,FILTER:23 L	80009	214-3374-00
	214-3374-01	B011060		1						SPRING,FILTER:1.32 L,CU-BE		
-9	337-2926-00			1						SHLD,IMPLOSION:4.33 X 3.56 X 0.06,CLEAR	80009	337-2926-00
	378-0199-00			1						FILTER,LT,CRT:BLUE,4.1 X 3.32 X 0.03	80009	378-0199-00
-10	211-0720-00	B010100	B010999	3						SCR,ASSEM WSHR:6-32 X 0.50 PNH,TORX	01536	OBD
	211-0691-00	B011000		3						SCREW,MACHINE:6-32 X 0.625,PNH	01536	OBD
-11	343-0003-00			1						CLAMP,LOOP:0.25 ID,PLASTIC	95987	1-4-6B
-12	161-0104-00			1						CABLE ASSY,PWR,;3 WIRE,98.0" LONG (STANDARD)	16428	KH8352
	161-0104-06			1						CABLE ASSY,PWR:3 X 0.75MM SQ,220V,98.0 L (OPT. A1 EUROPEAN)	S3109	OBD
	161-0104-07			1						CABLE ASSY,PWR:3 X 0.75MM SQ,240V,98.0 L (OPT. A2 U.K.)	S3109	OBD
	161-0104-05			1						CABLE ASSY,PWR:3,18 AWG,240V,98.0 L (OPT. A3 AUSTRALIAN)	S3109	OBD
	161-0104-08			1						CABLE ASSY,PWR:3,18 AWG,240V,98.0 L (OPT. A4 NORTH AMERICA)	T1105	OBD
	161-0167-00			1						CABLE ASSY,PWR:3.0 X 0.75,6A,240V,2.5M (OPT. A5 SWISS)	S3109	OBD
-13	334-4378-00			1						MARKER,IDENT:MKD PROBE POWER	80009	334-4378-00
-14	334-4381-00			1						MARKER,IDENT:MKD CONNECTOR IDENT	80009	334-4381-00
-15	334-4377-00	B010100	B012849	1						MARKER,IDENT:MKD CAUTION	80009	334-4377-00
	334-4377-02	B012850		1						MARKER,IDENT:MKD CAUTION		
-16	348-0729-00			2						FOOT,CABINET:W/CORDWRAP,REAR,BLACK ***** (ATTACHING PARTS) *****	80009	348-0729-00
-17	212-0154-00			4						SCREW,MACHINE:8-32 X 1.125,PNH,TORX	93907	OBD
	211-0711-00			2						SCR,ASSEM WSHR:6-32 X 0.25 L,PNH,TORX ***** (END ATTACHING PARTS) *****	01536	OBD
-18	200-2685-00			1						COVER,REAR:	80009	200-2685-00
-19	334-4659-00			1						MARKER,IDENT:MKD TEKTRONIX	80009	334-4659-00
-20	367-0303-00	B010100	B010999	1						HANDLE,CARRYING:12.864 L,SST	80009	367-0303-01
	367-0303-02	B011000		1						HANDLE,CARRYING:12.704 L,SST ***** (ATTACHING PARTS) *****	80009	367-0303-02
-21	212-0144-00			2						SCREW,TPG,TF:8-16 X 0.562 L	93907	225-38131-012
-22	346-0195-00	B010100	B010999	2						STRAP,GROUND:STAINLESS STEEL ***** (END ATTACHING PARTS) *****	80009	346-0195-00
-23	437-0286-00			1						CABINET,SCOPE:ALUMINUM	80009	437-0286-00



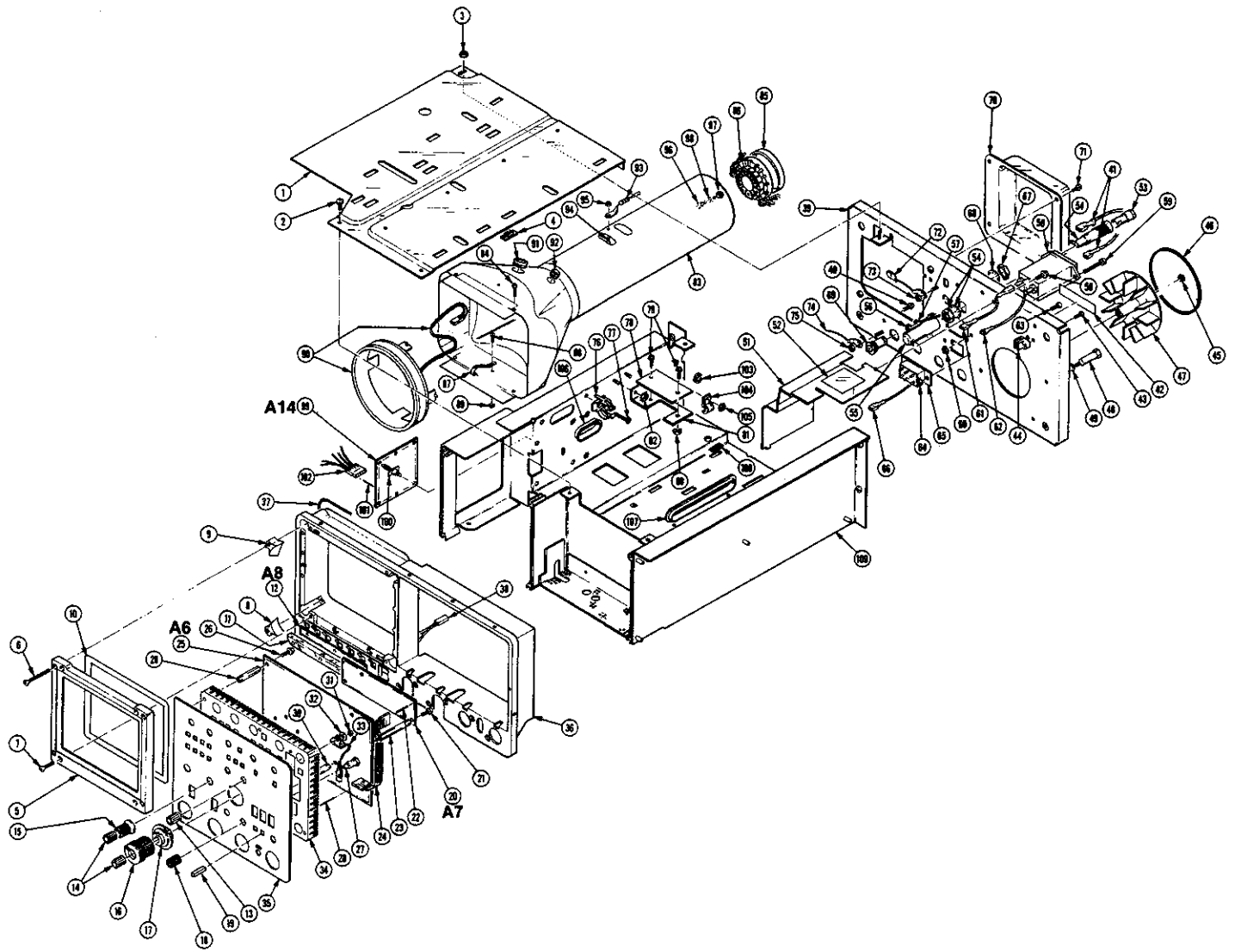


Fig. & Index No.	Tektronix Part No.	Serial/Model No.		Qty	1 2 3 4 5					Name & Description	Mfr Code	Mfr Part Number
		Eff	Dscont									
2-1	407-2790-00			1						BRACKET,CKT BD:VERTICAL,ALUM ***** (ATTACHING PARTS) *****	80009	407-2790-00
-2	211-0711-00			4						SCR,ASSEM WSHR:6-32 X 0.25 L,PNH,TORX	01536	OBD
-3	210-0457-00			1						NUT,PL,ASSEM WA:6-32 X 0.312,STL CD PL ***** (END ATTACHING PARTS) *****	83385	OBD
-4	343-1012-00			1						RETAINER,CKT BD:	80009	343-1012-00
-5	426-1864-00			1						FRAME,CRT: ***** (ATTACHING PARTS) *****	80009	426-1864-00
-6	211-0713-00			4						SCREW,MACHINE:6-32 X 1.25,FLH,100 DEG,STL	93907	OBD
-7	213-0914-00			4						SCREW,TPG,TR:6-32 X 0.75,FLH,100 DEG,TOR ***** (END ATTACHING PARTS) *****	93907	OBD
-8	343-0992-00			2						RETAINER,CRT:RIGHT,PLASTIC (UPPER RT/LOWER LEFT/NAT)	80009	343-0992-00
-9	343-0993-00			2						RETAINER,CRT:PLASTIC (UPPER LEFT/LOWER RT/BLK)	80009	343-0993-00
-10	348-0731-00			1						GASKET:CRT	80009	348-0731-00
-11	378-0204-00			1						REFLECTOR,LIGHT:INT SCALE ILLUMINATION	80009	378-0204-00
-12	670-7280-00			1						CKT BOARD ASSY:SCALE ILLUMINATION (SEE A8 REPL)	80009	670-7280-00
	175-4593-00			1						.CA ASSY,SP,ELEC:2,26 AWG,4.0 L,RIBBON	80009	175-4593-00
-13	366-1833-00			3						KNOB:GRAY,0.25 ID X 0.392 X 0.39	80009	366-1833-00
-14	366-2145-01			3						KNOB:DOVE GY,TIME/DIV,0.08 ID X	80009	366-2145-01
-15	366-2038-00			2						KNOB:GY,0.25 ID X 0.706 OD X 0.6	80009	366-2038-00
-16	366-2039-00	B010100	B019999	1						KNOB:GY,B SWEEP,0.2 ID X 0.78 OD	80009	366-2039-00
	366-2039-01	B020000		1						KNOB:GY,B SWEEP		
-17	366-2040-00			1						KNOB:CLEAR,A SWEEP,0.252 ID X 1.	80009	366-2040-00
-18	366-2041-01	B010100	B011999	4						KNOB:GY,BAR,0.172 ID X 0.410 OD	80009	366-2041-01
	366-2041-03	B012000		4						KNOB:DOVE GRAY,BAR,0.172 ID X 0.41 OD		
-19	366-2017-00			16						KNOB:0.18 SQ X 0.644 H,IVORY GY (SUBPART OF A6 CKT BOARD)	80009	366-2017-00
-20	670-7284-00			1						CKT BOARD ASSY:FRONT PANEL VARIABLE (SEE A7 REPL)	80009	670-7284-00
-21	211-0304-00			3						SCREW,MACHINE:4-40 X 0.312,PNH ***** (ATTACHING PARTS) *****	01536	OBD
-22	131-0608-00			5						.TERMINAL,PIN:0.365 L X 0.025 PH BRZ GOLD	22526	47357
	384-1639-01			1						SHAFT,VAR RES:3.21 L,NYLON	T1167	OBD
	384-1640-01			2						SHAFT,VAR RES:2.286 L,NYLON	T1167	OBD
-23	129-0941-00			2						SPACER,POST:1.86 L W/4-40 INT THD	80009	129-0941-00
-24	175-4597-00			1						.CA ASSY,SP,ELEC:5.26 AWG,4.0 L,RIBBON	80009	175-4597-00
-25	-----			1						CKT BOARD ASSY:FRONT PANEL(SEE A6 REPL) (REPLACEABLE ONLY AS 672-1038-XX) ***** (ATTACHING PARTS) *****		
-26	211-0304-00			5						SCREW,MACHINE:4-40 X 0.312,PNH ***** (END ATTACHING PARTS) *****	01536	OBD
-27	377-0550-00			10						.INSERT,KNOB:0.178 ID X 0.640 THK,0.370	80009	377-0550-00
-28	131-0608-00			7						.TERMINAL,PIN:0.365 L X 0.025 PH BRZ GOLD	22526	47357
	352-0639-00			2						.HOLDER,LED:BLACK	80009	352-0639-00
	352-0641-00			3						.HOLDER,LED:FIVE,BLACK	80009	352-0641-00
	352-0642-00			1						.HOLDER,LED:FOUR,BLACK	80009	352-0642-00
-29	129-0938-00			5						SPACER,POST:1.102 L W/4-40 THD EACH END	80009	129-0938-00
-30	129-0978-00			2						SPACER,POST:0.375-32 AL,0.5 HEX	80009	129-0978-00
-31	220-0495-00			2						NUT,PLAIN,HEX:0.375-32 X 0.438 INCH BRS	73743	OBD
-32	210-0012-00			2						WASHER,LOCK:INTL,0.384 ID,INTL,0.022 TH (SEE CHASSIS PARTS S3185 REPL)	78189	1220-02-00-0541C
-33	-----			-								
-34	354-0632-00	B010100	B019999	1						RING,MOUNTING:5.41 X 4.18	22161	OBD
	354-0632-01	B020000		1						RING,MOUNTING:5.41 X 4.18,BRASS		
-35	333-2876-00	B010100	B019999	1						PANEL,FRONT:	80009	333-2876-00
	333-2876-01	B020000		1						PANEL,FRONT:	80009	333-2876-01
	333-2990-00	B020000		1						PANEL,FRONT: (OPTION 06 ONLY)	80009	333-2990-00
	333-2991-00	B020000		1						PANEL,FRONT: (OPTION 05 & 06 ONLY)	80009	333-2991-00
	210-0077-00			2						WASHER,SPR TNSN:0.375 ID X 0.0025 OD	78189	3515-20-19-1744

Fig. & Index No.	Tektronix Part No.	Serial/Model No.		Qty	1 2 3 4 5	Name & Description	Mfr Code	Mfr Part Number
		Eff	Dscont					
2-	210-0586-00			3		NUT,PL,ASSEM WA:4-40 X 0.25,STL	83385	OBD
	214-3373-00			2		SPRING,GROUND:PHOSPHOR-BRONZE	80009	214-3373-00
	214-3428-00			2		SPRING,GROUND:VOLTS/DIV,SST	80009	214-3428-00
	348-0769-00			1		SHLD,GSKT,ELEK:TIME/DIV	80009	348-0769-00
	386-4728-00			1		SUBPANEL,FRONT:	80009	386-4728-00
-36	348-0276-00			AR		SHLD,GSKT,ELEK:0.026 OD NPRN W/WIRE NET CO	28817	01-0404-3719
-37	175-4593-00			1		CA ASSY,SP,ELEC:2,26 AWG,4.0 L,RIBBON	80009	175-4593-00
-38	-----			-		(SUBPART OF THE SUB-PANEL ASSEMBLY		
	-----			-		.NOT ILLUSTRATED)		
	175-4595-00			6		CA ASSY,SP,ELEC:3,22 AWG,2.0 L,RIBBON	80009	175-4595-00
	210-0583-00			6		*****ATTACHING PARTS*****		
	210-0046-00			6		NUT,PLAIN,HEX:0.25-32 X 0.312 INCH,BRS	73743	2X20317-402
				6		WASHER,LOCK:0.261 ID,INTL,0.018 THK,BRS	78189	1214-05-00-0541C
						*****END ATTACHING PARTS*****		
-39	386-4713-00	B010100	B019999	1		PLATE,REAR:POWER SUPPLY	80009	386-4713-00
	386-4713-01	B020000		1		PLATE,REAR:POWER SUPPLY	80009	386-4713-01
						*****ATTACHING PARTS*****		
-40	211-0711-00			5		SCR,ASSEM WSHR:6-32 X 0.25 L,PNH,TORX	01536	OBD
						*****END ATTACHING PARTS*****		
	337-3059-00	B020000		1		SHIELD,ELEC:LVPS	80009	337-3059-00
	343-1099-00	B020000		1		RTNR,POWER SPLY:LOW VOLTAGE,FRONT		
	334-3379-00			1		MARKER,IDENT:MARKED GROUND SYMBOL	80009	334-3379-00
-41	195-3984-00			1		LEAD,ELECTRICAL:22 AWG,4.0 L,8-01	80009	195-3984-00
-42	334-4865-00			1		MARKER,IDENT:MKD FAN,CAUTION	80009	334-4865-00
-43	211-0304-00			2		SCREW,MACHINE:4-40 X 0.312,PNH	01536	OBD
-44	386-4863-00			1		SUPPORT,CKT BD:	80009	386-4863-00
-45	210-0586-00			1		NUT,PL,ASSEM WA:4-40 X 0.25,STL	83385	OBD
-46	354-0638-00			1		RING,FAN:POLYIMIDE,FIRE RETARDANT	T1161	OBD
-47	369-0043-01			1		IMPLR,FAN ASSY:2.8 DIA,0.25 DIA SHAFT	80009	369-0043-01
	343-1040-01			1		.COLLAR,FAN MOTOR:	80009	343-1040-01
	355-0192-00			1		.STUD,SHLR & STEP:4-40 THD ONE END,8-32 TH	80009	355-0192-00
	220-0555-00			1		.NUT,PLAIN,HEX.:8-32 X 0.25 INCH STL	000EL	OBD
-48	361-1188-00			4		SPACER,POST:1.15 L,4-40 THD 1 END	80009	361-1188-00
-49	210-0994-00			4		WASHER,FLAT:0.125 ID X 0.25" OD,STL	86928	5702-201-20
-50	211-0711-00			1		SCR,ASSEM WSHR:6-32 X 0.25 L,PNH,TORX	01536	OBD
-51	337-3021-00			1		SHIELD,ELEC:LVPS PEOPLE	80009	337-3021-00
-52	334-4759-00	B010100	B012199	1		MARKER,IDENT:MKD SHIELDS INVERTER	80009	334-4759-00
	334-5196-00	B012200		1		MARKER,IDENT:MKD CAUTION		
	-----			-		(STD AND OPTS. 05,06,09,10)		
-53	200-0237-04			1		COVER,FUSE HLDR:PLASTIC,SAFETY CONTROLLED	80009	200-0237-04
-54	204-0832-00			1		BODY,FUSEHOLDER:3AG,5 X 20MM FUSES	S3629	031.1673(MDLFEU)
-55	200-2265-00			1		CAP,FUSEHOLDER:5 X 20MM FUSES	S3629	FEK 031.1663
						*****ATTACHING PARTS*****		
-56	210-0457-00			1		NUT,PL,ASSEM WA:6-32 X 0.312,STL CD PL	83385	OBD
						*****END ATTACHING PARTS*****		
-57	195-3984-00			1		LEAD,ELECTRICAL:22 AWG,4.0 L,8-01	80009	195-3984-00
	195-3986-00			1		LEAD,ELECTRICAL:18 AWG,4.0 L,8-0	80009	195-3986-00
-58	119-1536-00			1		FILTER,RFI:3A,250VAC,50/60 HZ	54583	OBD
						*****ATTACHING PARTS*****		
-59	211-0332-00			2		SCR,ASSEM WSHR:4-40 X 0.5,PNH,TORX DRIVE	01536	OBD
-60	210-0586-00			2		NUT,PL,ASSEM WA:4-40 X 0.25,STL	83385	OBD
						*****END ATTACHING PARTS*****		
-61	195-3989-00			1		LEAD,ELECTRICAL:18 AWG,4.0 L,8-9	80009	195-3989-00
-62	195-3990-00			1		LEAD,ELECTRICAL:18 AWG,4.5 L,5-4	80009	195-3990-00
-63	211-0304-00			2		SCREW,MACHINE:4-40 X 0.312,PNH	01536	OBD
-64	210-0586-00			2		NUT,PL,ASSEM WA:4-40 X 0.25,STL	83385	OBD
-65	-----			1		(SEE S90 CHASSIS REPL)		
-66	195-3987-00			1		LEAD,ELECTRICAL:22 AWG,4.0 L,8-19	80009	195-3987-00
	195-3988-00			1		LEAD,ELECTRICAL:22 AWG,4.0 L,8-29	80009	195-3988-00
-67	-----			4		NUT,PLAIN,KNURL:(FURN WITH 131-1910-01 BNC		
-68	-----			4		WASHER,LOCK:(FURN WITH 131-1910-01 BNC'S)		
-69	131-1910-01			4		CONN,RCPT,ELEC:BNC,FEMALE	24931	28JR284-1
-70	200-2686-00			1		COVER,REAR:CRT	80009	200-2686-00
						*****ATTACHING PARTS*****		
-71	211-0711-00			1		SCR,ASSEM WSHR:6-32 X 0.25 L,PNH,TORX	01536	OBD
						*****END ATTACHING PARTS*****		

Fig. & Index No.	Tektronix Part No.	Serial/Model No.		Qty	1 2 3 4 5	Name & Description	Mfr Code	Mfr Part Number
		Eff	Dscont					
2-72	195-8410-00			1		LEAD,ELECTRICAL:22 AWG,1.65 L *****ATTACHING PARTS)*****	80009	195-8410-00
-73	210-0551-00			1		NUT,PLAIN,HEX.:4-40 X 0.25 INCH,STL *****END ATTACHING PARTS)*****	000BK	OBD
-74	195-9513-00			1		LEAD,ELECTRICAL:22 AWG,1.4 L *****ATTACHING PARTS)*****	80009	195-9513-00
-75	210-0551-00			1		NUT,PLAIN,HEX.:4-40 X 0.25 INCH,STL *****END ATTACHING PARTS)*****	000BK	OBD
-76	131-1425-00			AR		CONTACT SET,ELE:R ANGLE,0.150" L,STR OF 36	22526	65521-136
	344-0116-00	B010100	B010170	1		RTNR,CAPACITOR:CAPACITOR MTG	90201	TH-17
	344-0250-00	B010171		1		CLIP,ELECTRICAL:COMPONENT MOUNTING *****ATTACHING PARTS)*****	80033	E50005-007
-77	211-0504-00	B010100	B019999	1		SCREW,MACHINE:6-32 X 0.25 INCH,PNH STL	83385	OBD
	211-0722-00	B020000		1		SCREW,MACHINE:6-32 X 0.25 L,PNH,STL,TORX D *****END ATTACHING PARTS)*****		
-78	307-1154-00			1		PASSIVE NETWORK:CRT TERMINATOR,FINISHED *****ATTACHING PARTS)*****	80009	307-1154-00
-79	211-0324-00			2		SCR,ASSEM WSHR:4-40 X 0.188 L,PNH,TORX,MCH	01536	OBD
-80	210-0457-00			2		NUT,PL,ASSEM WA:6-32 X 0.312,STL CD PL *****END ATTACHING PARTS)*****	83385	OBD
-81	407-2809-00			1		BRACKET,ANGLE:RESISTOR,AL *****ATTACHING PARTS)*****	80009	407-2809-00
-82	210-0457-00			2		NUT,PL,ASSEM WA:6-32 X 0.312,STL CD PL *****END ATTACHING PARTS)*****	83385	OBD
-83	334-1951-00			1		MARKER,IDENT:CRT WARNING	80009	334-1951-00
	337-2931-00			1		SHIELD,CRT: *****ATTACHING PARTS)*****	80009	337-2931-00
-84	211-0324-00			4		SCR,ASSEM WSHR:4-40 X 0.188 L,PNH,TORX,MCH *****END ATTACHING PARTS)*****	01536	OBD
-85	200-0917-01			1		COV,ELECTRON TU:2.052 OD X 0.291" THK,PLST	80009	200-0917-01
-86	198-4603-00			1		WIRE SET,ELEC:	80009	198-4603-00
-87	214-0291-00			2		CONTACT,SPRING:1.188 X 0.375 X 0.25 INCH *****ATTACHING PARTS)*****	80009	214-0291-00
-88	211-0324-00			2		SCR,ASSEM WSHR:4-40 X 0.188 L,PNH,TORX,MCH	01536	OBD
-89	210-0586-00			2		NUT,PL,ASSEM WA:4-40 X 0.25,STL *****END ATTACHING PARTS)*****	83385	OBD
-90	119-1478-00			1		COIL,TUBE DEFL:FXD,TRACE ROTATION	80009	119-1478-00
-91	348-0762-00			1		PAD,CUSHIONING:1.0 X 3.0 X 0.25,POLTHN	80009	348-0672-00
-92	348-0004-00			1		GROMMET,RUBBER:0.281 ID X 0.563 INCH OD	70485	763
-93	195-6851-00			1		LEAD,ELECTRICAL:BRAIDED,1.65 L *****ATTACHING PARTS)*****	80009	195-6851-00
-94	211-0324-00			1		SCR,ASSEM WSHR:4-40 X 0.188 L,PNH,TORX,MCH	01536	OBD
-95	210-0551-00			1		NUT,PLAIN,HEX.:4-40 X 0.25 INCH,STL *****END ATTACHING PARTS)*****	000BK	OBD
	195-8410-00			1		LEAD,ELECTRICAL:22 AWG,1.65 L *****ATTACHING PARTS)*****	80009	195-8410-00
-96	211-0324-00			1		SCR,ASSEM WSHR:4-40 X 0.188 L,PNH,TORX,MCH	01536	OBD
-97	210-0551-00			1		NUT,PLAIN,HEX.:4-40 X 0.25 INCH,STL	000BK	OBD
-98	210-0994-00			1		WASHER,FLAT:0.125 ID X 0.25" OD,STL *****END ATTACHING PARTS)*****	86928	5702-201-20
-99	670-8000-00			1		CKT BOARD ASSY:DYNAMIC CENTERING (SEE A14 REPL) *****ATTACHING PARTS)*****	80009	670-8000-00
-100	361-0067-00			3		.SPACER,CKT BD:0.187,NYLON *****END ATTACHING PARTS)*****	06915	LCBS-3M
-101	131-0608-00			5		.TERMINAL,PIN:0.365 L X 0.025 PH BRZ GOLD	22526	47357
-102	175-8010-00			1		CA ASSY,SP,ELEC:5,22 AWG,10.5 L,RIBBON	80009	175-8010-00
-103	348-0757-00			2		GROMMET,PLASTIC:BLACK U SHAPE,0.25 ID	80009	348-0757-00
-104	343-0081-00			1		STRAP,RETAINING: *****ATTACHING PARTS)*****	95987	3/16-H
-105	210-0457-00			1		NUT,PL,ASSEM WA:6-32 X 0.312,STL CD PL *****END ATTACHING PARTS)*****	83385	OBD

Replaceable Mechanical Parts—2465 Service

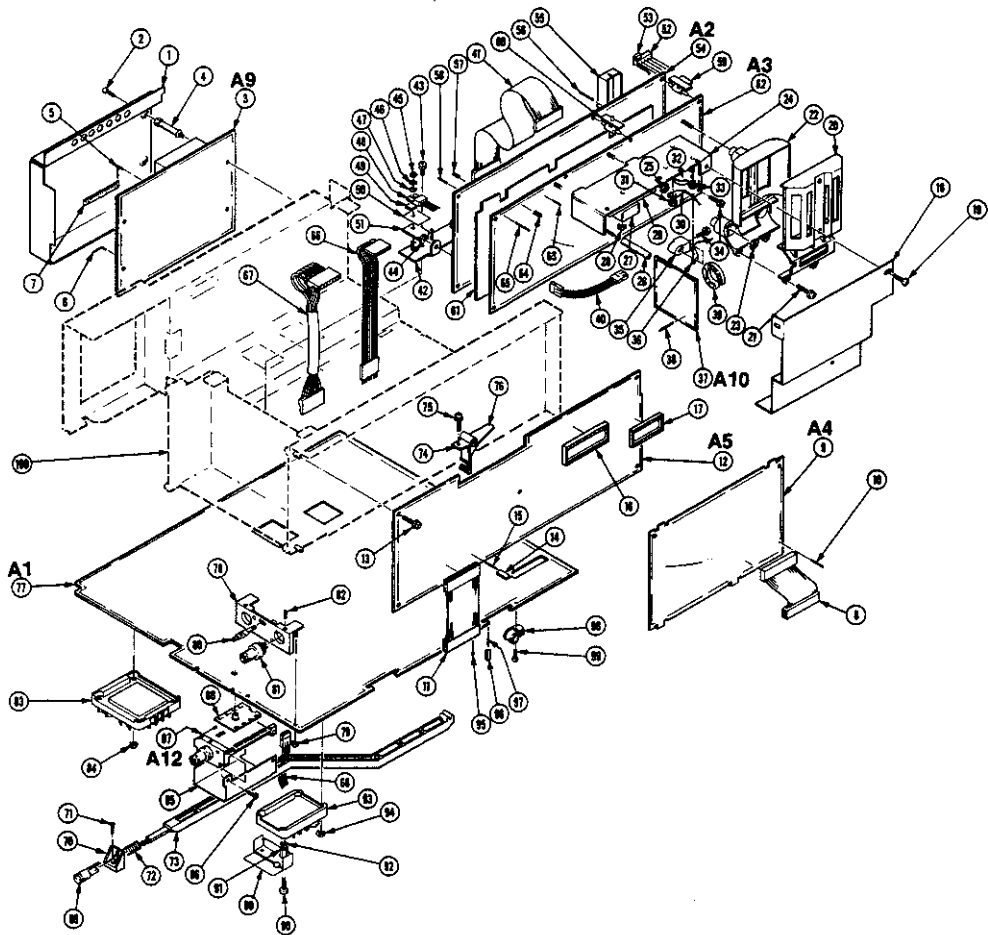
Fig. & Index No.	Tektronix Part No.	Serial/Model No.		Qty	1 2 3 4 5					Name & Description	Mfr Code	Mfr Part Number
		Eff	Dscont									
2-106	348-0073-00			1						HINGE BLOCK,STA:L FR,R REAR,BLACK ACETAL	80009	348-0073-00
-107	348-0751-00			1						GROMMET,PLASTIC:BLACK,3.11 X 0.645 OBLONG	80009	348-0751-00
-108	343-1012-00			1						RETAINER,CKT BD:	80009	343-1012-00
-109	441-1618-00	B010100	B019999	1						CHASSIS,SCOPE:MAIN	80009	441-1618-00
	441-1618-01	B020000		1						CHASSIS,SCOPE:MAIN	80009	441-1618-01

Fig. & Index No.	Tektronix Part No.	Serial/Model No.		Qty	1	2	3	4	5	Name & Description	Mfr Code	Mfr Part Number
		Eff	Dscont									
3-1	337-2932-00			1						SHIELD,ELEC:HIGH VOLTAGE *****ATTACHING PARTS*****		
-2	211-0304-00			4						SCREW,MACHINE:4-40 X 0.312,PNH *****END ATTACHING PARTS*****	01536	OBD
	334-4750-00			1						MARRKER,IDENT:MKD HIGH VOLTAGE	80009	334-4750-00
-3	-----			1						CKT BOARD ASSY:HIGH VOLTAGE (SEE A9 REPL) *****ATTACHING PARTS*****	80009	670-7277-00
-4	361-1188-00			6						SPACER,POST:1.15 L,4-40 THD 1 END *****END ATTACHING PARTS*****	80009	361-1188-00
-5	131-0592-00			14						.CONTACT,ELEC:0.885 INCH LONG	22526	47353
-6	131-0589-00			13						.TERMINAL,PIN:0.46 L X 0.025 SQ	22526	48283-029
-7	352-0661-00			1						.HOLDER,TERMINAL:17 SQUARE PINS	T1167	OBD
	175-4596-00			1						.CA ASSY,SP,ELEC:5.22 AWG,7.0 L,RIBBON	T0171	OBD
	348-0763-00			1						.GROMMET,PLASTIC:NATURAL,OVAL,1.235 ID	80009	348-0763-00
-8	175-4581-00			1						CA ASSY,SP,ELEC:26,28 AWG,5.0 L,RIBBON	80009	175-4581-00
-9	-----			1						CKT BOARD ASSY:READOUT (SEE A4 REPL)	80009	670-7278-00
-10	131-0608-00			7						.TERMINAL,PIN:0.365 L X 0.025 PH BRZ GOLD	22526	47357
-11	175-4583-00			1						CA ASSY,SP,ELEC:26,28 AWG,2.5 L	80009	175-4583-00
-12	-----			1						CKT BOARD ASSY:DIGITAL CONTROL (SEE A5 REPL) *****ATTACHING PARTS*****	80009	670-7279-00
-13	211-0711-00			4						SCR,ASSEM WSHR:6-32 X 0.25 L,PNH,TORX *****END ATTACHING PARTS*****	01536	OBD
-14	131-0993-00			1						.BUS,CONDUCTOR:2 WIRE BLACK	00779	850100-01
-15	131-0608-00			122						.TERMINAL,PIN:0.365 L X 0.025 PH BRZ GOLD	22526	47357
-16	136-0757-00			1						.SKT,PL-IN ELEK:MICROCKT,40 PIN	09922	DILB40P-108
-17	136-0755-00			4						.SKT,PL-IN ELEK:MICROCIRCUIT,28 DIP	09922	DILB28P-108
-18	337-2978-00			1						SHIELD,ELEC:LOW VOLTAGE POWER SUPPLY *****ATTACHING PARTS*****	80009	337-2978-00
-19	211-0304-00			2						SCREW,MACHINE:4-40 X 0.312,PNH *****END ATTACHING PARTS*****	01536	OBD
-20	407-2830-00			1						BRKT,CMPNT MTG:CAP & MOTOR,LEFT,PLASTIC *****ATTACHING PARTS*****	80009	407-2830-00
-21	211-0332-00			2						SCR,ASSEM WSHR:4-40 X 0.5,PNH,TORX DRIVE *****END ATTACHING PARTS*****	01536	OBD
-22	407-2829-00			1						BRKT,CMPNT MTG:CAP & MOTOR,RIGHT,PLASTIC *****ATTACHING PARTS*****	80009	407-2829-00
-23	210-0586-00			3						NUT,PL,ASSEM WA:4-40 X 0.25,STL *****END ATTACHING PARTS*****	83385	OBD
-24	407-2854-00			1						BRACKET,ANGLE:TRANSISTOR,ALUM *****ATTACHING PARTS*****	80009	407-2854-00
-25	210-0586-00			5						NUT,PL,ASSEM WA:4-40 X 0.25,STL	83385	OBD
-26	129-0304-00			1						INSULATOR,STDF:0.25 OD X 1.23 INCH LONG	80009	129-0304-00
-27	343-1025-00			3						RETAINER,XSTR: *****ATTACHING PARTS*****	80009	343-1025-00
-28	210-0406-00			3						NUT,PLAIN,HEX.:4-40 X 0.188 INCH,BRS *****END ATTACHING PARTS*****	73743	12161-50
-29	337-3032-00			1						SHIELD,CKT BD:	80009	337-3032-00
-30	195-9513-00			1						LEAD,ELECTRICAL:22 AWG,1.4 L *****ATTACHING PARTS*****	80009	195-9513-00
-31	210-0586-00			1						NUT,PL,ASSEM WA:4-40 X 0.25,STL *****END ATTACHING PARTS*****	83385	OBD
-32	342-0354-00			1						INSULATOR,PLATE:TRANSISTOR,SILICON RUBBER *****ATTACHING PARTS*****	000BB	7403-10-52
-33	210-0586-00			2						NUT,PL,ASSEM WA:4-40 X 0.25,STL *****END ATTACHING PARTS*****	83385	OBD
-34	211-0711-00			3						SCR,ASSEM WSHR:6-32 X 0.25 L,PNH,TORX	01536	OBD
-35	129-0912-00			1						SPACER,POST:0.62 L W 6/32 THD ONE END	80009	129-0912-00
-36	195-9720-00	B010100	B011399	1						LEAD,ELECTRICAL:18 AWG,1.4 L,5-4	80009	195-9720-00
	195-9720-01	B011400		1						LEAD,ELECTRICAL:18 AWG,2.4 L,0-N	80009	195-9720-01
-37	670-7390-00			1						CKT BOARD ASSY:FAN MOTOR (SEE A10 REPL)	80009	670-7390-00

Replaceable Mechanical Parts—2465 Service

Fig. & Index No.	Tektronix Part No.	Serial/Model No.		Qty	Name & Description					Mfr Code	Mfr Part Number
		Eff	Dscont		1	2	3	4	5		
3-38	131-0608-00			3	.TERMINAL,PIN:0.365 L X 0.025 PH BRZ GOLD					22526	47357
-39	361-1187-00			1	.SPACER,FAN:0.125,POLYPHENYLENE					80009	361-1187-00
-40	175-4728-00			1	CA ASSY,SP,ELEC:2,22 AWG,8.0 L,RIBBON					80009	175-4728-00
-41	175-4585-00			1	CA ASSY,SP,ELEC:20,28 AWG,13.0 L					80009	175-4585-00
-42	407-2825-00			1	BRACKET,ANGLE:TRANSISTOR MTG ***** (ATTACHING PARTS) *****					80009	407-2825-00
-43	211-0711-00			3	SCR,ASSEM WSHR:6-32 X 0.25 L,PNH,TORX					01536	OBD
-44	210-0588-00			3	NUT,PL,ASSEM WA:4-40 X 0.25,STL ***** (END ATTACHING PARTS) *****					83385	OBD
-45	210-0406-00			6	NUT,PLAIN,HEX.:4-40 X 0.188 INCH,BRS					73743	12161-50
-46	210-1307-00			6	WASHER,LOCK:0.115 ID,SPLIT,0.025 THK					86928	A384-25N
-47	210-1002-00			6	WASHER,FLAT:0.125 ID X 0.25 INCH OD,BRS					12327	OBD
-48	-----			6	TRANSISTOR:(SEE CHASSIS REPL)						
-49	342-0536-00			6	INSULATOR,XSTR:TO-220,POLYENELENE					80009	342-0536-00
-50	343-0354-00			6	RETAINER,SPRING:STEEL					80009	343-0354-00
-51	361-1207-00			6	SPACER,PLATE:0.550 X 0.812,ALUM					80009	361-1207-00
-52	131-2779-00			3	CONN,PLUG,ELEC:CKT BD,1 X 5 MALE,0.15 SP					22526	65306-XXX
	131-2780-00			1	CONN,PLUG,ELEC:CKT BD,1 X 3 MALE,0.15 SP					22526	65306-XXX
-53	343-1067-00	B010100	B019999	4	RTNR,ELEC CONN:POLY,BLACK					80009	343-1067-00
	343-1067-01	B020000		4	RTNR,ELEC CONN:POLY,BLACK					80009	343-1067-01
-54	-----			1	CKT BOARD ASSY:REGULATOR(SEE A2 REPL) (AVAILABLE AS 672-1037-XX ONLY)						
-55	200-2735-00			1	.COVER,POWER SW:					80009	200-2735-00
-56	131-0608-00	B010100	B010299	22	.TERMINAL,PIN:0.365 L X 0.025 PH BRZ GOLD					22526	47357
	131-0608-00	B010300		17	.TERMINAL,PIN:0.365 L X 0.025 PH BRZ GOLD					22526	47357
-57	136-0263-04			18	.SOCKET,PIN TERM:FOR 0.025 INCH SQUARE PIN					22526	75377-001
-58	-----			4	.TERM QIK DISC:CKT BD MT,0.11 X 0.02 (SEE A2P204,205,206,207 REPL)						
	200-2265-00			1	.CAP,FUSEHOLDER:5 X 20MM FUSES					S3629	FEK 031.1663
-59	129-0976-00			1	SPACER,POST:0.86 L X 6-32,POLY,0.3					80009	129-0976-00
-60	361-1132-00	B010100	B011499	6	SPACER,CKT BD:A					80009	361-1132-00
	361-1132-01	B011500		4	SPACER,CKT BD:A POLY					80009	361-1132-01
-61	337-3059-00			1	SHIELD,ELEC:LVPS					80009	337-3059-00
-62	-----			1	CKT BOARD ASSY:INVERTER(SEE A3 REPL) (AVAILABLE AS 672-1037-01 ONLY)						
-63	131-0608-00			7	.TERMINAL,PIN:0.365 L X 0.025 PH BRZ GOLD					22526	47357
-64	136-0263-04			18	.SOCKET,PIN TERM:FOR 0.025 INCH SQUARE PIN					22526	75377-001
-65	131-0589-00			4	.TERMINAL,PIN:0.46 L X 0.025 SQ					22526	48283-029
	343-1099-00	B020000		1	.RTNR,POWER SPLY:LOW VOLTAGE,FRONT						
	278-0575-00	B011200		1	.CORE HALF,XFMR:0.305 X 0.19 X 0.096						
-66	175-4594-00			1	CA ASSY,SP,ELEC:7,22 AWG,7.0 L,RIBBON					80009	175-4594-00
-67	175-4598-00			1	CA ASSY,SP,ELEC:8,28 AWG,7.0 L,RIBBON					80009	175-4598-00
-68	175-4595-00			1	CA ASSY,SP,ELEC:3,22 AWG,2.0 L,RIBBON					80009	175-4595-00
-69	366-1767-00			1	PUSH BUTTON:BLACK,YELLOW INDICATOR					000EO	FA201
-70	407-2904-00			1	BRACKET,EXT SFT:ABS					80009	407-2904-00
-71	211-0718-00			1	SCREW,MACHINE:6-32 X 0.312,FLH,100 DEG					93907	OBD
-72	214-3328-00			1	SPRING,HLCPS:0.37 OD X 0.7 L,CLOSED ENDS					80009	214-3328-00
-73	384-1631-00			1	EXTENSION SHAFT:12.897 L X 0.375 OD,PLSTC					80009	384-1631-00
-74	407-2800-00			1	BRACKET,PIVOT:EXTENSION SHAFT,PLASTIC ***** (ATTACHING PARTS) *****					80009	407-2800-00
-75	211-0711-00			1	SCR,ASSEM WSHR:6-32 X 0.25 L,PNH,TORX ***** (END ATTACHING PARTS) *****					01536	OBD
-76	407-2803-00			1	BRACKET,PVT ARM:EXTENSION SHAFT,PLASTIC					80009	407-2803-00
-77	-----			1	CKT BOARD ASSY:MAIN (SEE A1 REPL)						
-78	386-4735-00			1	PLATE,CMPNT MTG:ALUM ***** (ATTACHING PARTS) *****					80009	386-4735-00
-79	210-0588-00			2	.NUT,PL,ASSEM WA:4-40 X 0.25,STL					83385	OBD
	361-0382-00			2	.SPACER,PB SW:BROWN,0.275 INCH LONG					80009	361-0382-00
	361-0719-00	B010150		2	.SPACER,SLEEVE:0.092 ID X 0.062 IL,PLASTIC ***** (END ATTACHING PARTS) *****					82104	10-0144/0622
-80	131-2716-01			1	.TERMINAL,CAL:					80009	131-2716-01
-81	131-0679-02			2	.CONNECTOR,RCPT,:BNC,MALE,3 CONTACT ***** (ATTACHING PARTS) *****					24931	28JR270-1
-82	213-0008-00			2	.SETSCREW:8-32 X 0.188 INCH,HSS STL ***** (END ATTACHING PARTS) *****					50293	28701-98C-3B

Fig. & Index No.	Tektronix Part No.	Serial/Model No. Eff	Dscont	Qty	1 2 3 4 5	Name & Description	Mfr Code	Mfr Part Number
3-83	---			9		.MICROCIRCUIT,LI: (A1U700 SHOWN,ALSO SEE A1U100,200,300,400 .500,600,900 AND 950)(ATTACHING PARTS).....		
-84	210-0586-00			36		.NUT,PL,ASSEM WA:4-40 X 0.25,STL(END ATTACHING PARTS).....	83385	OBD
-85	337-2925-00			1		.SHIELD,ELEC:ATTENUATOR(ATTACHING PARTS).....	80009	337-2925-00
-86	211-0304-00			4		.SCREW,MACHINE:4-40 X 0.312,PNH(END ATTACHING PARTS).....	01536	OBD
	119-1445-01			1		.ATTENUATOR,VAR:PROGRAMMABLE 1X-100X,CH1 (SEE A11 REPL)	80009	119-1445-01
-87	119-1445-02			1		.ATTENUATOR,VAR:PROGRAMMABLE,1X-100X,CH2 (SEE A12 REPL)	80009	119-1445-02
-88	351-0677-00			2		.GUIDE,MAG CATCH:BLACK POLY	80009	351-0677-00
	214-2270-00			1		.SPRING,GROUND:CRT TO SHIELD(ATTACHING PARTS).....	80009	214-2270-00
	211-0324-00			2		.SCR,ASSEM WSHR:4-40 X 0.188 L,PNH,TORX,MC(END ATTACHING PARTS).....	01536	OBD
	384-0617-00			1		.SPACER,POST:0.375 L X 0.25 HEX	80009	384-0617-00
-89	337-3031-00			2		.SHIELD,ELEC:PRE-AMP(ATTACHING PARTS).....	80009	337-3031-00
-90	211-0324-00			2		.SCR,ASSEM WSHR:4-40 X 0.188 L,PNH,TORX,MC(END ATTACHING PARTS).....	01536	OBD
-91	129-0985-00			2		.SPACER,POST:0.350 L,W/4-40 THD THRU	T1288	OBD
-92	210-0003-00			2		.WASHER,LOCK:#4 EXT,0.015 THK,STL	78189	1104-00-00-0541C
-93	214-0973-00			1		.HEAT SINK,ELEC:0.28 X 0.18 OVAL X 0.187"H(ATTACHING PARTS).....	80009	214-0973-00
-94	210-0586-00			4		.NUT,PL,ASSEM WA:4-40 X 0.25,STL(END ATTACHING PARTS).....	83385	OBD
-95	136-0252-07			32		.SOCKET,PIN CONN:W/O DIMPLE	22526	75060-012
-96	131-0993-00			7		.BUS,CONDUCTOR:2 WIRE BLACK	00779	850100-01
-97	131-0608-00	B010100	B019999	137		.TERMINAL,PIN:0.365 L X 0.025 PH BRZ GOLD	22526	47357
	131-0608-00	B020000		139		.TERMINAL,PIN:0.365 L X 0.025 PH BRZ GOLD	22526	47357
	195-3991-00	B010100	B019999	1		.LEAD,ELECTRICAL:22 AWG,3.5 L,0-N	T0032	OBD
	195-3991-01	B020000		1		.LEAD,ELECTRICAL:22 AWG,3.5 L,0-N		
	195-6500-00	B010100	B019999	3		.LEAD,ELECTRICAL:STRD,22 AWG,300V,WHITE,2.	80009	195-6500-00
	195-6500-01	B020000		3		.LEAD,ELECTRICAL:STRD,22 AWG,300V,WHITE,2.	80009	195-6500-01
	175-8010-00	B010100	B019999	1		.CA ASSY,SP,ELEC:5.22 AWG,10.5 L,RIBBON	80009	175-8010-00
	175-8010-01	B020000		1		.CA ASSY,SP,ELEC:5.22 AWG,10.5 L,RIBBON		
-98	343-0144-00	B010100	B010299	2		CLAMP,LOOP:0.125 INCH ID,BLK NYLON	95987	1-8-2
	343-0144-00	B010300		1		CLAMP,LOOP:0.125 INCH ID,BLK NYLON(ATTACHING PARTS).....	95987	1-8-2
-99	211-0304-00			1		SCREW,MACHINE:4-40 X 0.312,PNH	01536	OBD
-100	441-1618-00			1		CHASSIS,SCOPE:MAIN (ALSO SEE FIG. 2)		
	195-6851-00	B010100	B019999	1		LEAD,ELECTRICAL:BRAIDED,1.65 L	80009	195-6851-00
	195-6851-01	B020000		1		LEAD,ELECTRICAL:BRAIDED,1.65 L	80009	195-6851-01



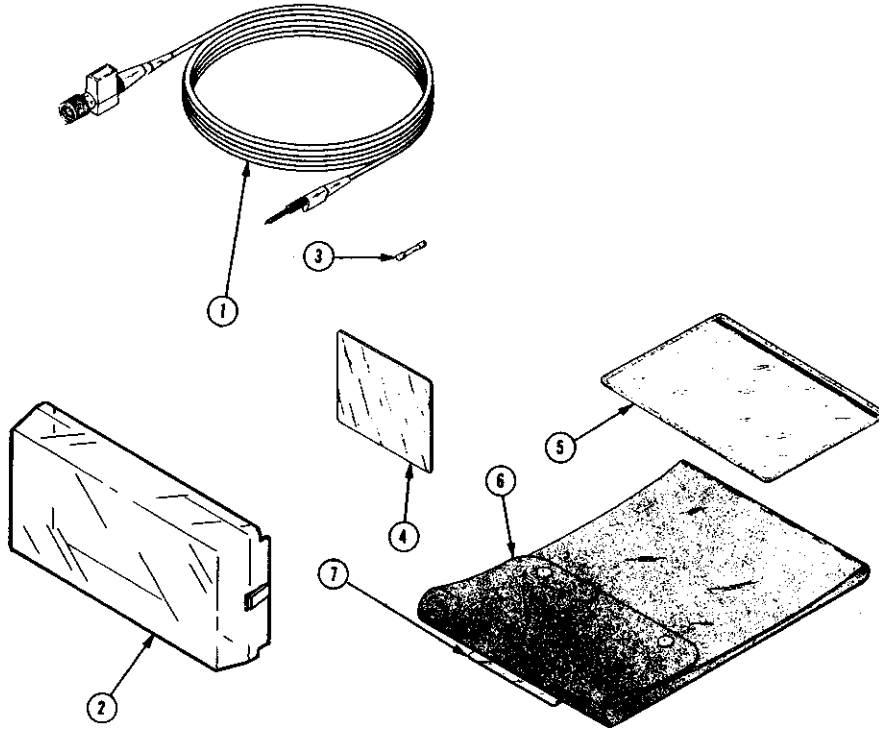


Fig. & Index No.	Tektronix Part No.	Serial/Model No. Eff	Dscont	Qty	1	2	3	4	5	Name & Description	Mfr Code	Mfr Part Number
STANDARD ACCESSORIES												
4-1	015-0227-00			1						ACCESSORY KIT:2 P6131 PROBE,VOLT ,W/ACC &	80009	015-0227-00
-2	200-2742-00			1						COVER,PROT:FRONT PANEL	80009	200-2742-00
-3	159-0021-00			1						FUSE,CARTRIDGE:3AG,2A,250V,FAST-BLOW	71400	AGC 2
-4	378-0208-00			1						FILTER,LT,CRT:CLEAR,4.105 X 3.415	80009	378-0208-00
-5	016-0537-00			1						POUCH,ACCESSORY:VINYL,W/ZIPPER	05006	ZIP-6X91D
	016-0692-01			1						POUCH ASSEMBLY:2445/2465	80009	016-0692-01
-6	016-0692-00			1						.POUCH,ACCESSORY:2465/2445	80009	016-0692-00
-7	386-4849-00			1						.PLATRE,MOUNTING:ACCY POUCH,ALUM	80009	386-4849-00
	070-3831-00			1						MANUAL,TECH:SERVICE,2465 OSCILLOSCOPE	80009	070-3831-00
	070-3832-00			1						MANUAL,TECH:OPERATORS,2465 OSCILLOSCOPE	80009	070-3832-00
	070-4180-00			1						CARD,INFO:REF	80009	070-4180-00
OPTIONAL ACCESSORIES												
4-1	015-0227-00									PROBE,VOLTAGE:P6131,10X W/ACCESSORIES	80009	010-6131-01
	016-0720-00									COVER,PROT:NYLON	80009	016-0720-00
	346-0058-00									FASTENER,STRAP:CARRYING	80009	346-0058-00
	346-0199-00									STRAP,CARRYING:		

FIG. 4 ACCESSORIES