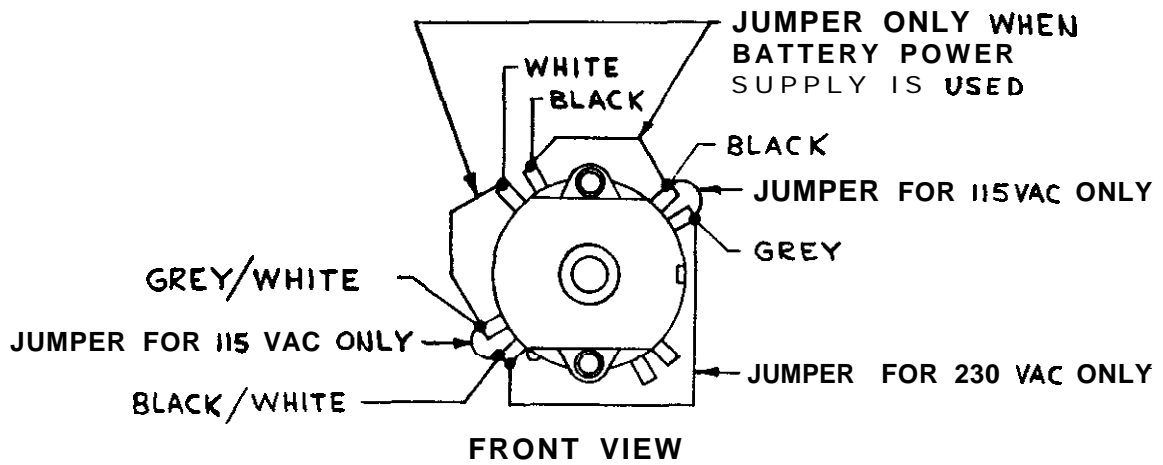
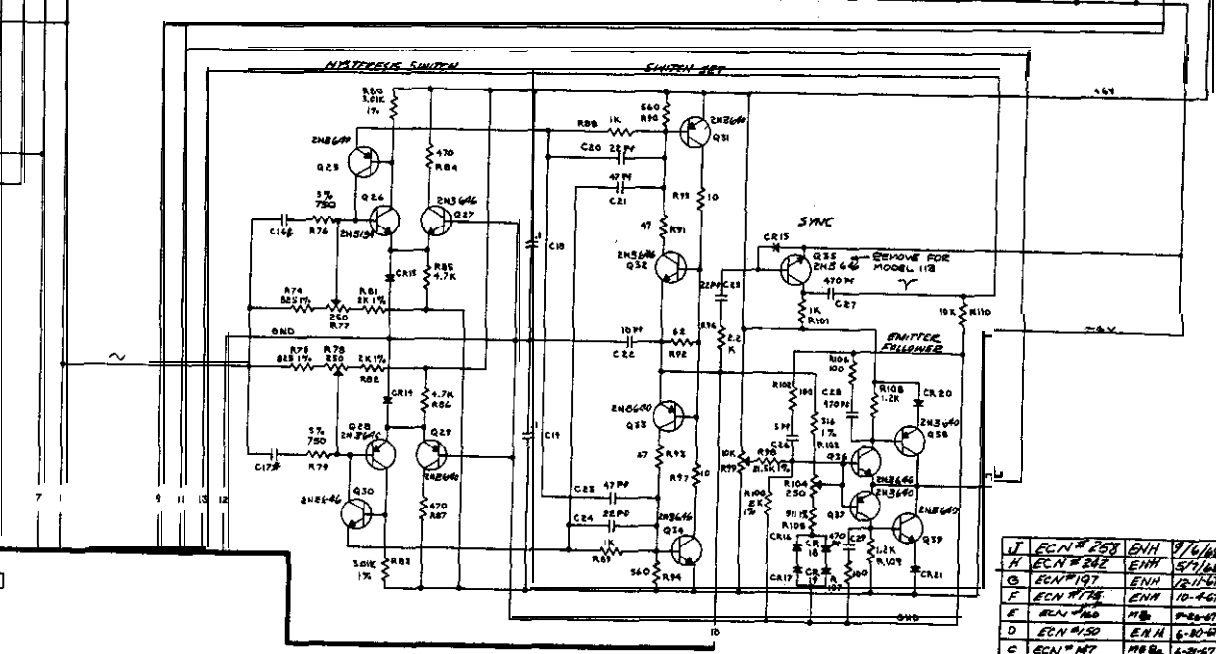
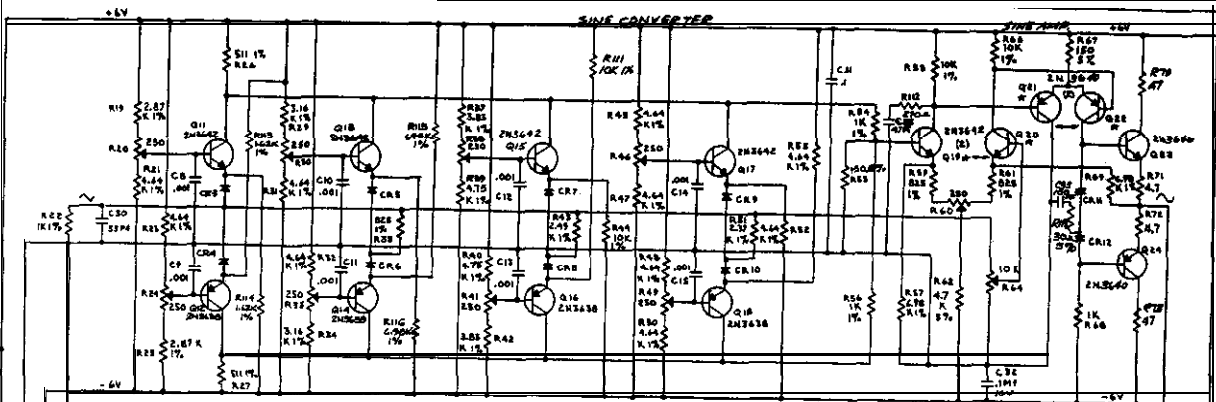
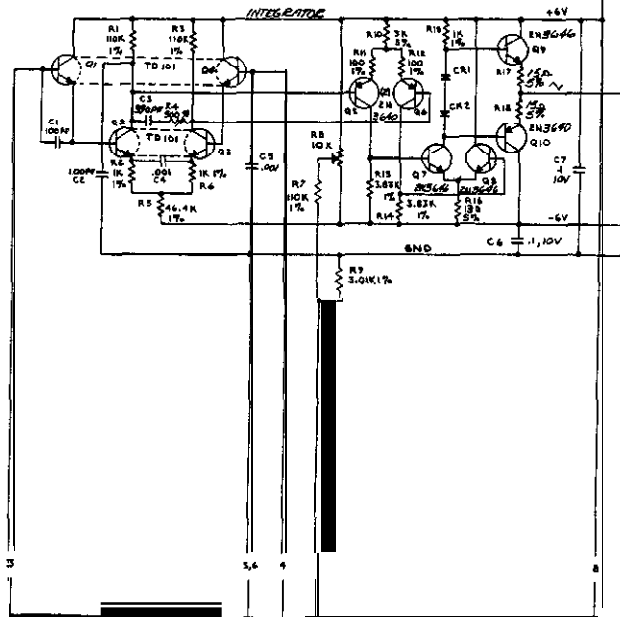


SECTION VI
SCHEMATIC DIAGRAMS

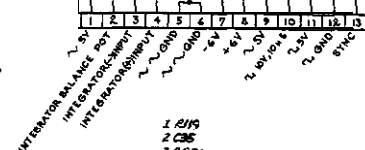


115/230 V SWITCH WIRING



NOTE

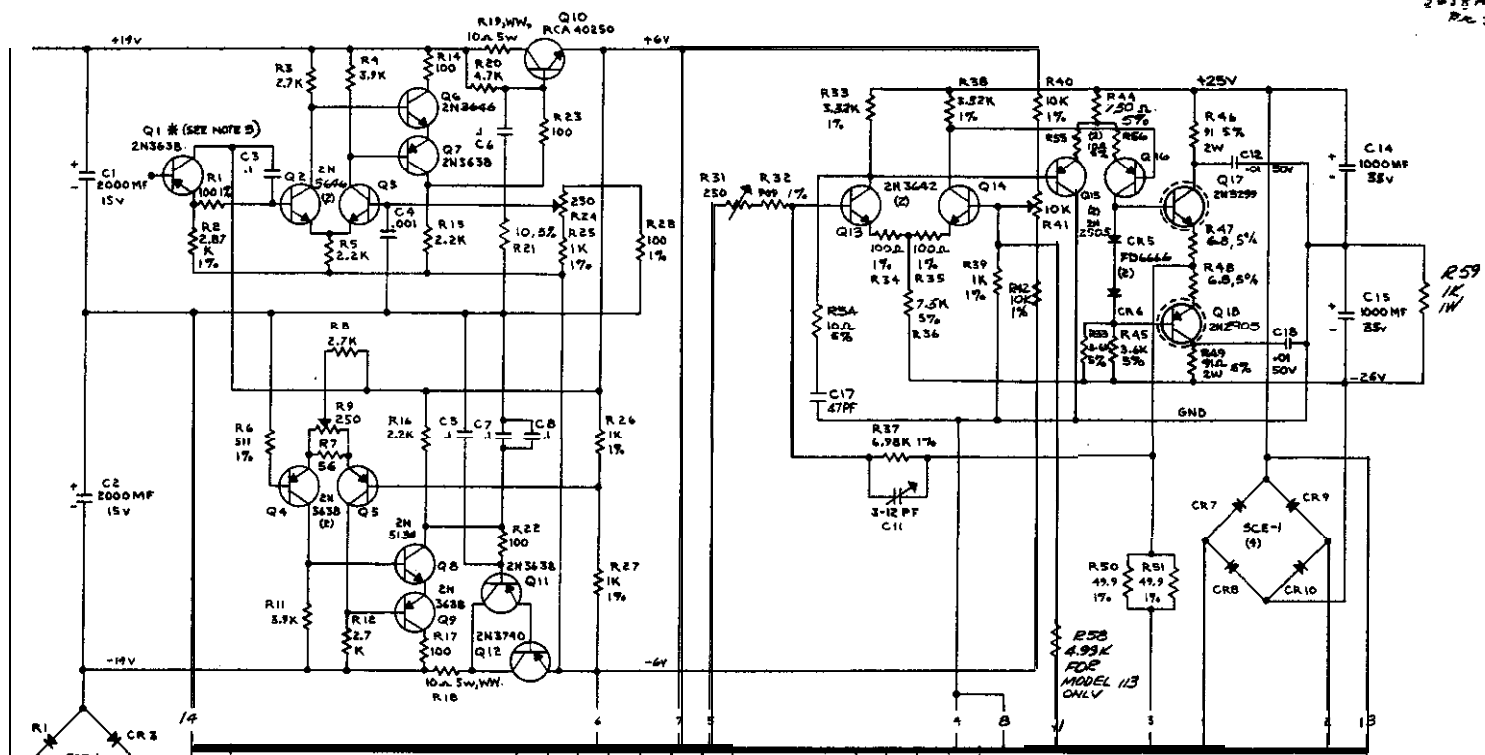
- 1. RESISTANCE IN OHMS, 2 IN 10'S.
- 2. CAPACITANCE IN MICROSECONDS, 10 IN 10'S.
- 3. DIODES ARE PANELED P666E
- 4. PINS ARE NUMBERED FROM LEFT TO RIGHT AS VIEWED FROM COMPONENT SIDE OF CIRCUIT BOARD
- 5. N MATCHED PAIR - MATCHED FOR B AND VBE
- 6. ALL DIFFERENTIAL PAIRS MATCHED FOR 10% B MATCH
- 7. 0.0M1 GUARANTEED MINIMUM VALUE
- 8. & INDICATES THERMALLY CONNECTED Pairs
- 9. * FOR MODEL 110 USE R220PF; MODEL 113 USE 150PF, ALL OTHERS USE 100PF.




11	ECN # 208	BH	9/16/68
12	ECN # 202	ENH	5/1/68
13	ECN # 197	ENH	12-11-67
14	ECN # 174	ENH	10-4-67
15	ECN # 160	MB	8-20-67
16	ECN # 150	ENH	6-20-67
17	ECN # 107	MB	6-20-67
18	ECN # 104	JN	5-17-67
19	ECN # 103	JN	5-17-67

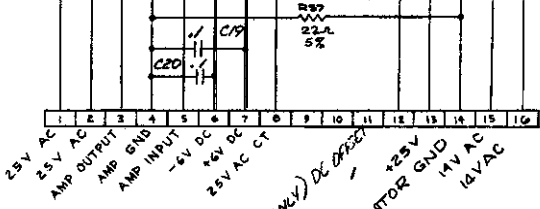
WAVETEK			
REV	DATE	BY	DATE
1	1-10-68	P. Mankin	
MAINBOARD SCHEMATIC			
110-2128			

Q16 REPLACED W/IT
3639A
RCA 31-17C



LEGEND:
 HEAT SINKS

NOTE
 UNLESS OTHERWISE SPECIFIED:
 1. RESISTANCE IN OHMS, $\pm 10\%$
 2. CAPACITANCE IN MICROFARADS, $\pm 10\%$
 3. *Q1 PRE-SELECTED FOR ZENER VOLTAGE OF $6.6V \pm .3V$.
 4. PINS ARE NUMBERED FROM LEFT TO RIGHT AS VIEWED FROM COMPONENT SIDE OF CIRCUIT BOARD
 5. ALL DIFFERENTIAL PAIRS MATCHED FOR $10\% \beta$ MATCH



(MODEL 113 ONLY) DC OFFSET
 REGULATOR GND
 14V AC
 14V AC

C20
 CR10
 Q18
 R59

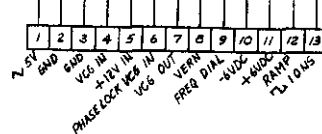
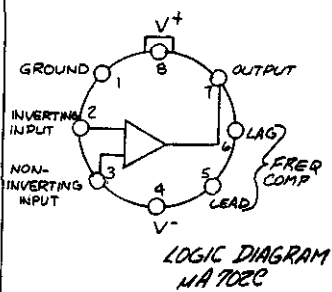
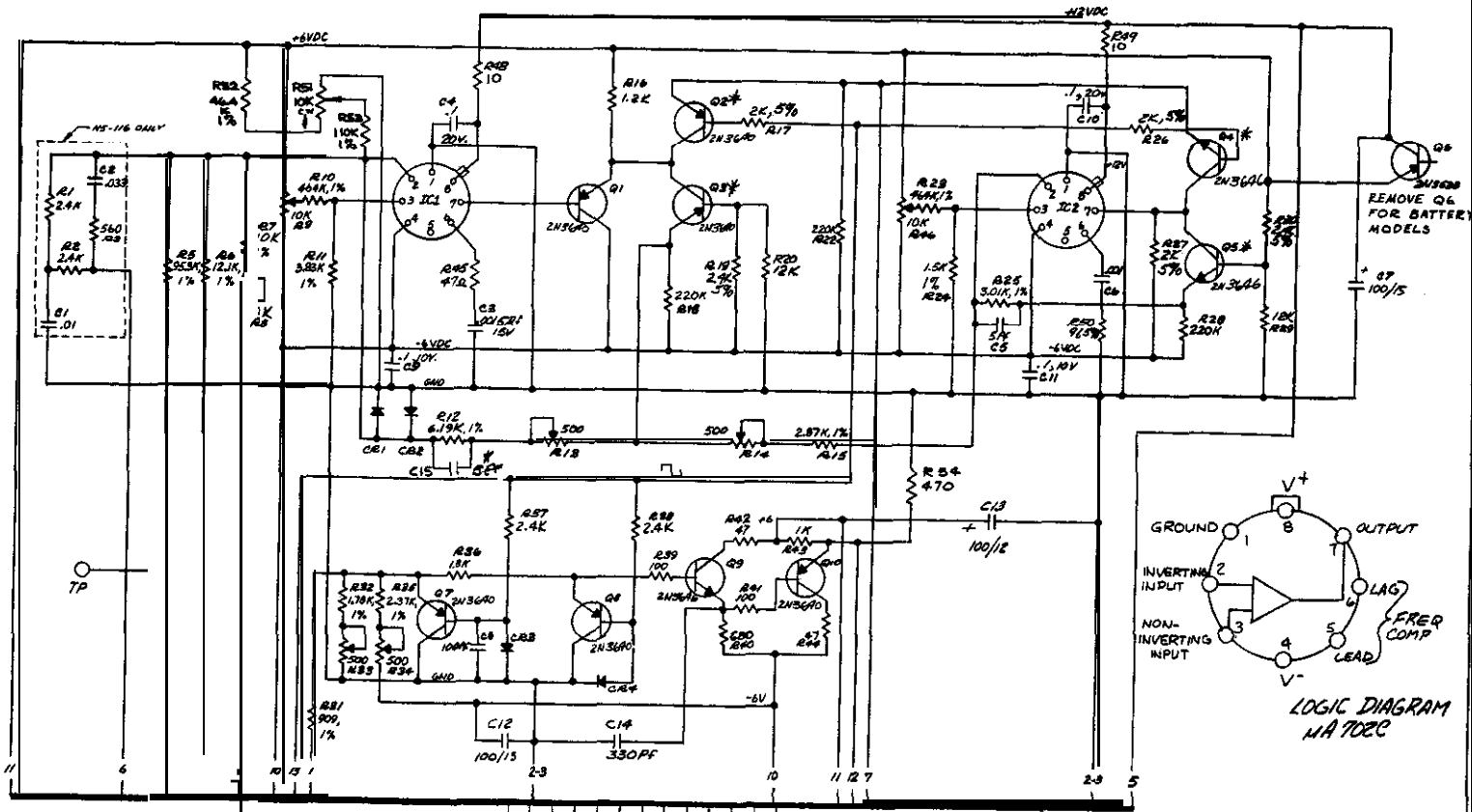
J	# 239	ENH	4/29/64
H	*234	ME	4/10/68
G	ECN # 220	ENH	3-8-68
F	ECN # 166	MDL	9/18/67
E	ECN 57/158	MB	7/29/67
D	ECN # 141	ONE	5-18-67
C	ECN # 136	ONE	5-1-67
B	ECN # 131	JJ	3-31-67
A	ECN # 94	JJ	12-12-66
CNG	ECN NO.	BY	DATE
APP			

WAVETEK 8157 ENGINEER RD
 SAN DIEGO, CALIF

DRN DATE APP
 PA Month 1-21-66 P. Mackis

POWER SUPPLY AND OUTPUT AMP

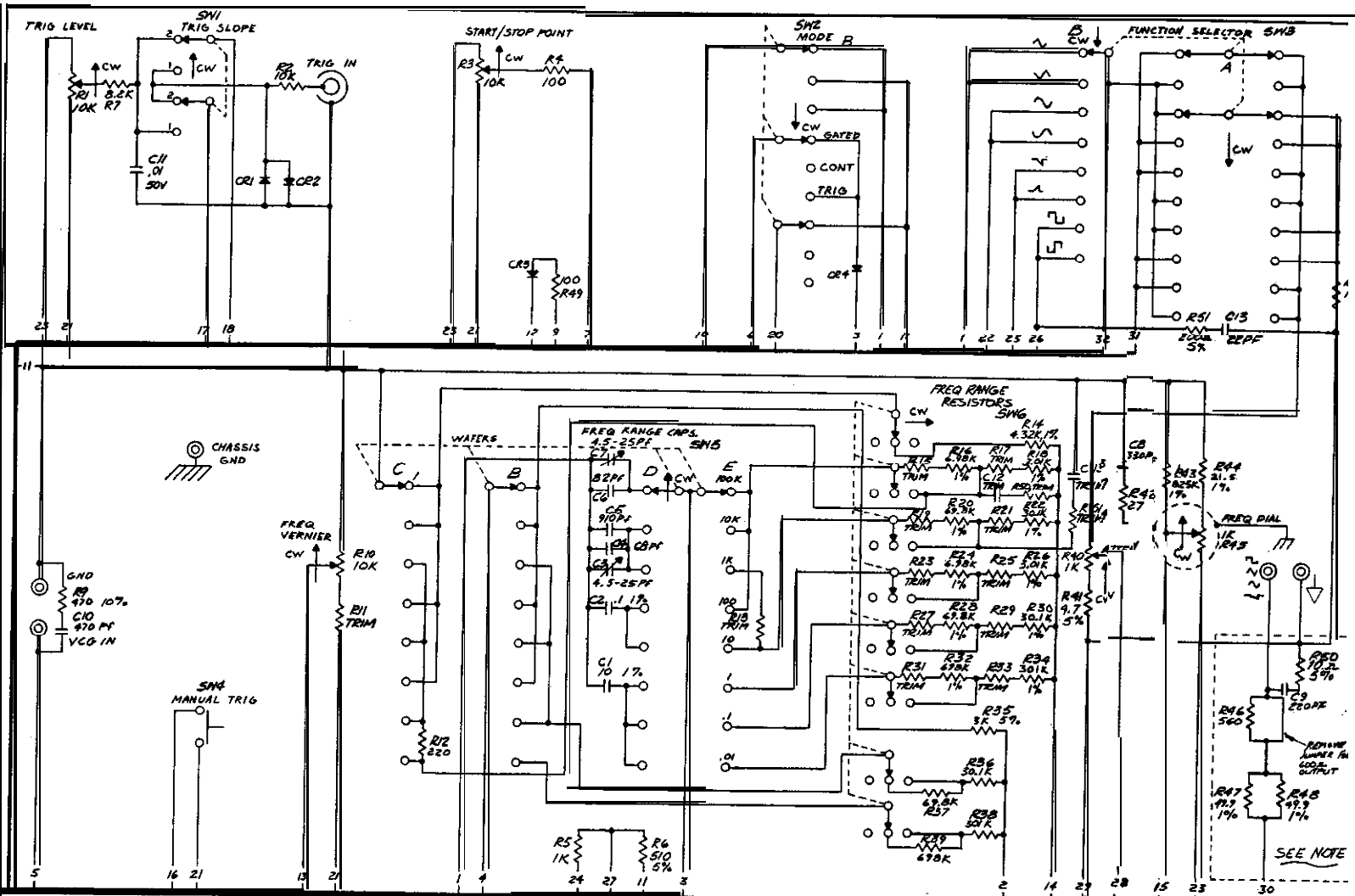
MODEL 110 THRU 116 NO 110-213J



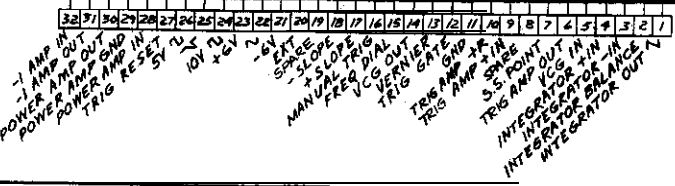
NOTES
 UNLESS OTHERWISE SPECIFIED
 1. RESISTANCE IN OHMS, 1/2 W, 10% CARBON
 2. CAPACITANCE IN MICROFARADS
 3. DIODES ARE FAIRCHILD FD64LL
 4. INTEGRATED CIRCUITS ARE FAIRCHILD 7402C
 5. * MUST BE MATCHED SPECIAL AS INVERTED SWITCHES.
 6. * MODEL 115, 116 100PCF

1. R. 54
 2. C16
 3. CR4
 4. Q10
 5. SC2

P	ECN #248	ENH	6/18/68		
N	ECN #235	ENH	4-15-68		
M	ECN #228	ENH	3-26-68		
L	ECN #202	MR	12/26/67		
K	ECN #196	ENH	12-8-67		
J	ECN #162	ENH	7-26-67		
H	ECN #160	MR	7-26-67		
G	ECN #156	MR	7/18/67		
F	ECN #150	ENH	6-30-67		
CHNG	ECN	BY	DATE	APP'D	
E	159	JRC	5-15-67	JIP	
D	134	PLM	4-11-67	JIP	
C	127 & 128	JRC	3/10/67	JIP	
B	123	JH	2-13-67	JIP	
A	116	JH	1-25-67	JIP	
CHNG	ECN	BY	DATE	APP'D	
WAVETEX				8159 BURNING ROAD SAN DIEGO, CALIF.	
DRN	DATE	11-6-66	APP	P. Mackie	
VCG SCHEMATIC					
MODEL:	111, 112, 115, 116	NO	111-218N		



- NOTE:**
 FOR "B" MODELS;
 1. REPLACE R46 WITH 430.Ω AND REMOVE JUMPER FOR GOOD OUTPUT.
 2. REMOVE C9
 3. ADD JUMPER BETWEEN PIN 28 AND 30.
 4. PINS NUMBERED FROM RIGHT TO LEFT FROM COMPONENT SIDE



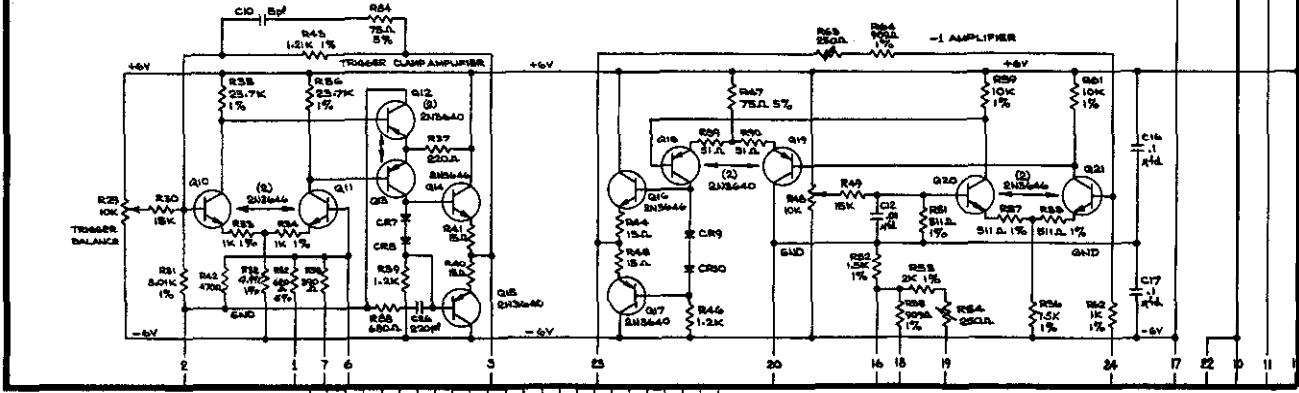
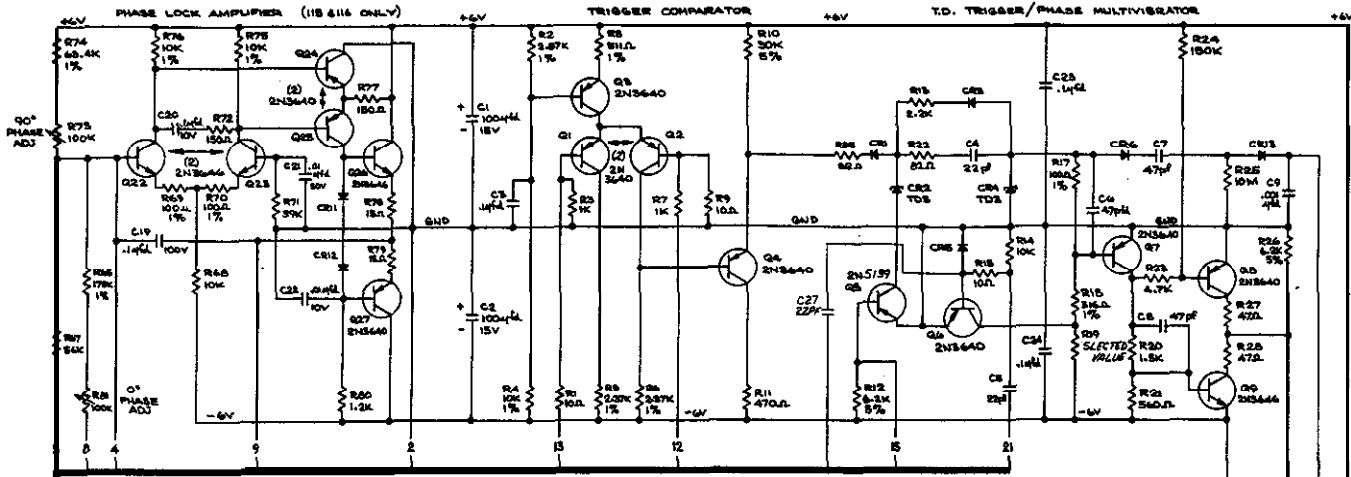
WAVETEK SIN ENGINEER RD
 SW DISCO, CALIF

PN	DATE	APP
FRM	5-13-66	P. MacL...

SUB - PANEL

MODEL	NO.
112	112 - 2200

D	ECN #196	ENH	12-26
C	ECN #178	ENH	9-24-67
B	ECN #137	TRG	7/26/67
A	94123010	JN	12-30-66
CHG	ECN NO	BY	DATE



1 2 3 4 5 6 7 8 9 10 11 12 13 14 15 16 17 18 19 20 21 22 23 24

SS POINT
TRIG CLAMP AMP OUT
TRIG AMP-OUT
PHASE AMP-IN
TRIG + IN
TRIG + IN
O° PHASE ADJ
PHASE AMP OUT
TRIG DATE OUT
PHEMUAL TRIG
+ SLOVE IN
- SLOVE IN

OUT
OUT
-6VDC
V IN
+5VDC
-AMP AMP
THIS RESET IN
SLOVE RESET OUT
-1 AMP OUT
-1 AMP IN

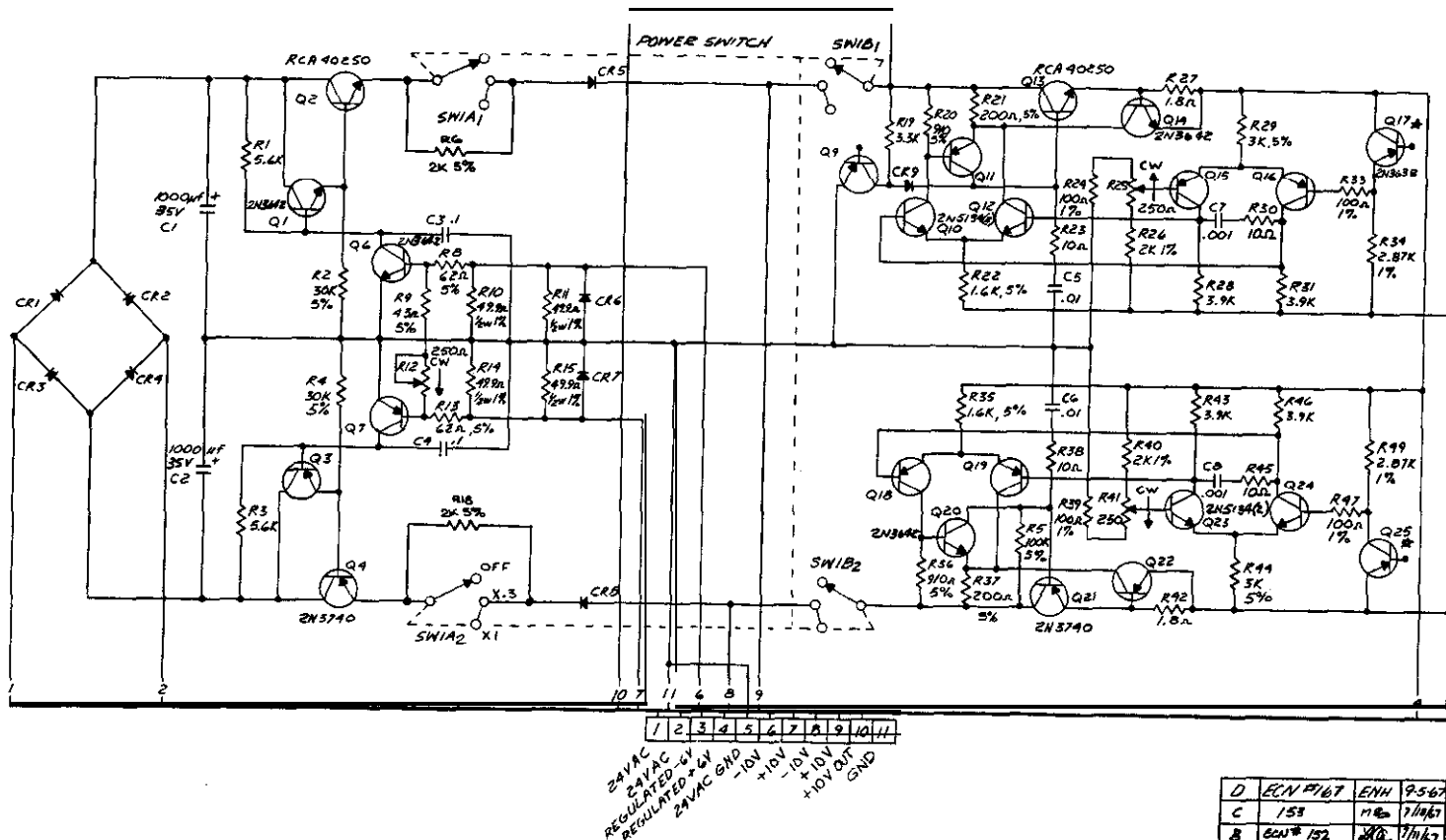
NOTES: -UNLESS SPECIFIED
1. ALL RESISTORS ARE 1/8W 10%
2. ALL DIODES ARE PD6444
3. -- WIDENER MATCHED DIODES
4. PHAS ARE NUMBERED FROM LEFT
TO RIGHT AS VIEWED FROM THE
COMPONENT SIDE OF THE CIRCUIT
BOARD.

LATEST COMP
DESIGNATOR
R90
C27
CR18
Q27

J	# 290	ENV 1/56
H	# 202	ENV 1/56
G	# 201	ENV 1/56
F	# 170	ENV 1/56
E	REVISION PER CUMM.	2/5/56
D	# 155	2/5/56
C	# 12	2/5/56
B	# 137	2/5/56
A	# 94	2/5/56

Schematic unless otherwise specified	
REV 2.00 112-222	
WAVETEK 500 Sango, Calif	
Model 1VA	REV. 11/1/67
Title	Trigger Board (Schematics)
Model no.	112-221
Part no.	112, 165, 146
Rev	J

This document contains proprietary information and design related to products of WAVETEK and may not be used or reproduced for any reason without the express permission of WAVETEK INC.



NOTE: UNLESS OTHERWISE SPECIFIED

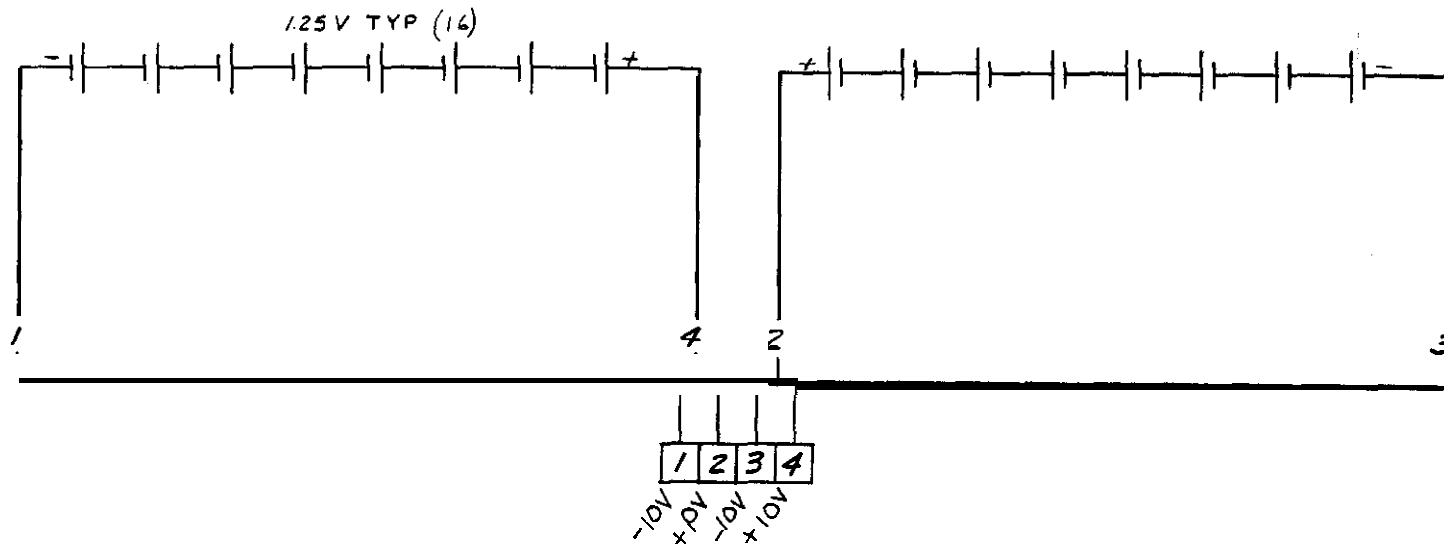
1. ALL TRANSISTORS ARE 2N3638
2. ALL RESISTANCE IN OHMS, 1/2W, 10%
3. CAPACITANCE IN MICROFARADS
4. DIODES ARE SCE-1's
5. PINS NUMBERED LEFT TO RIGHT AS VIEWED FROM COMPONENT SIDE OF BOARD.
6. ALL DIFFERENTIAL PAIRS ARE MATCHED FOR β
7. * INDICATES CHOSEN FOR 6.4V \pm .3V ZENER VOLTAGE

LATEST COMP
DESIGNATOR
R49
C 8
CR 8
Q 25

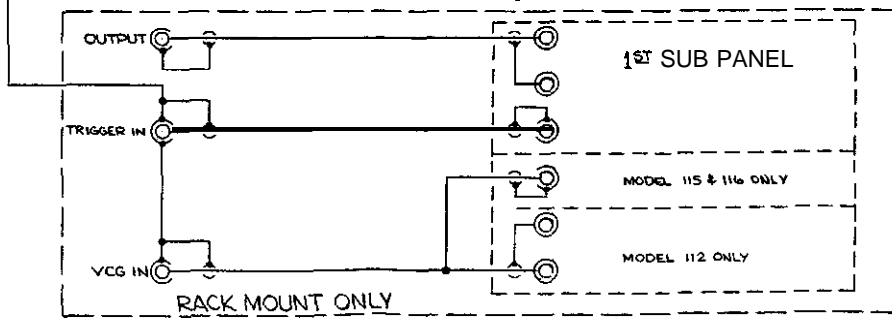
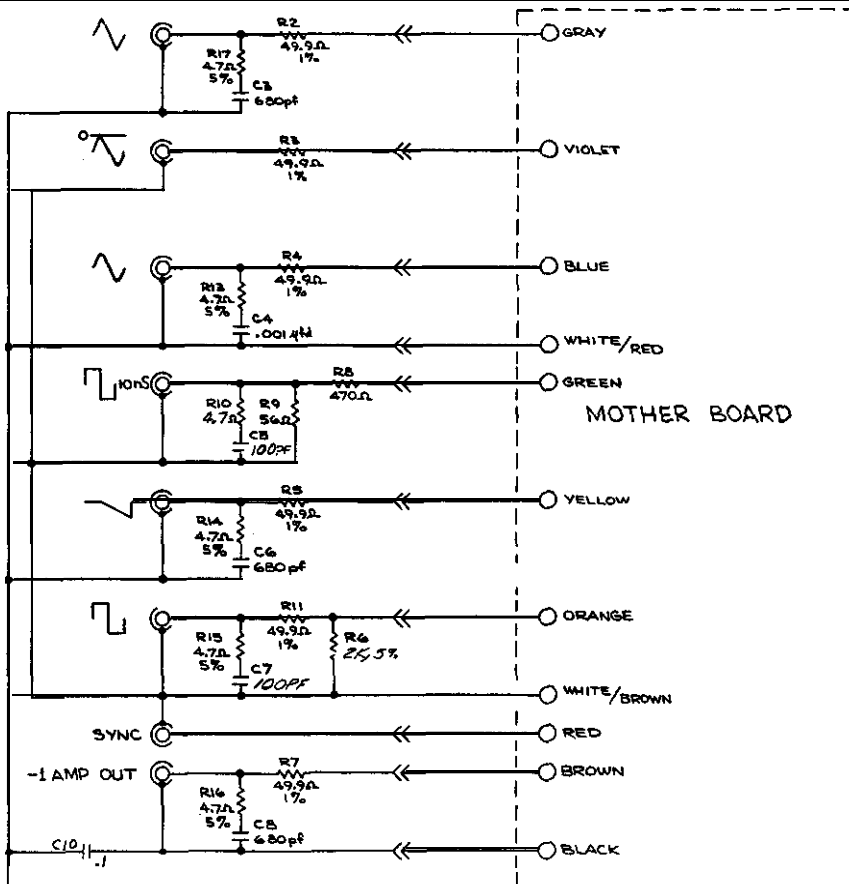
D	ECN #167	ENH	9-5-67
C	153	M 8	7/1/67
B	ECN # 152	R 8	7/1/67
A	94 (THIS ONE)	J 1	1-5-67
OMMC	ECN NO.	BY	DATE
WAVETEK		8155 ENGINEER RD	
SAN DIEGO, CALIF			
DRN	DATE	APP	
PA 1004	7-21-66	P. Mackie	

BATTERY REGULATOR BC

MODELS NO
112 114 -115-116 112-222

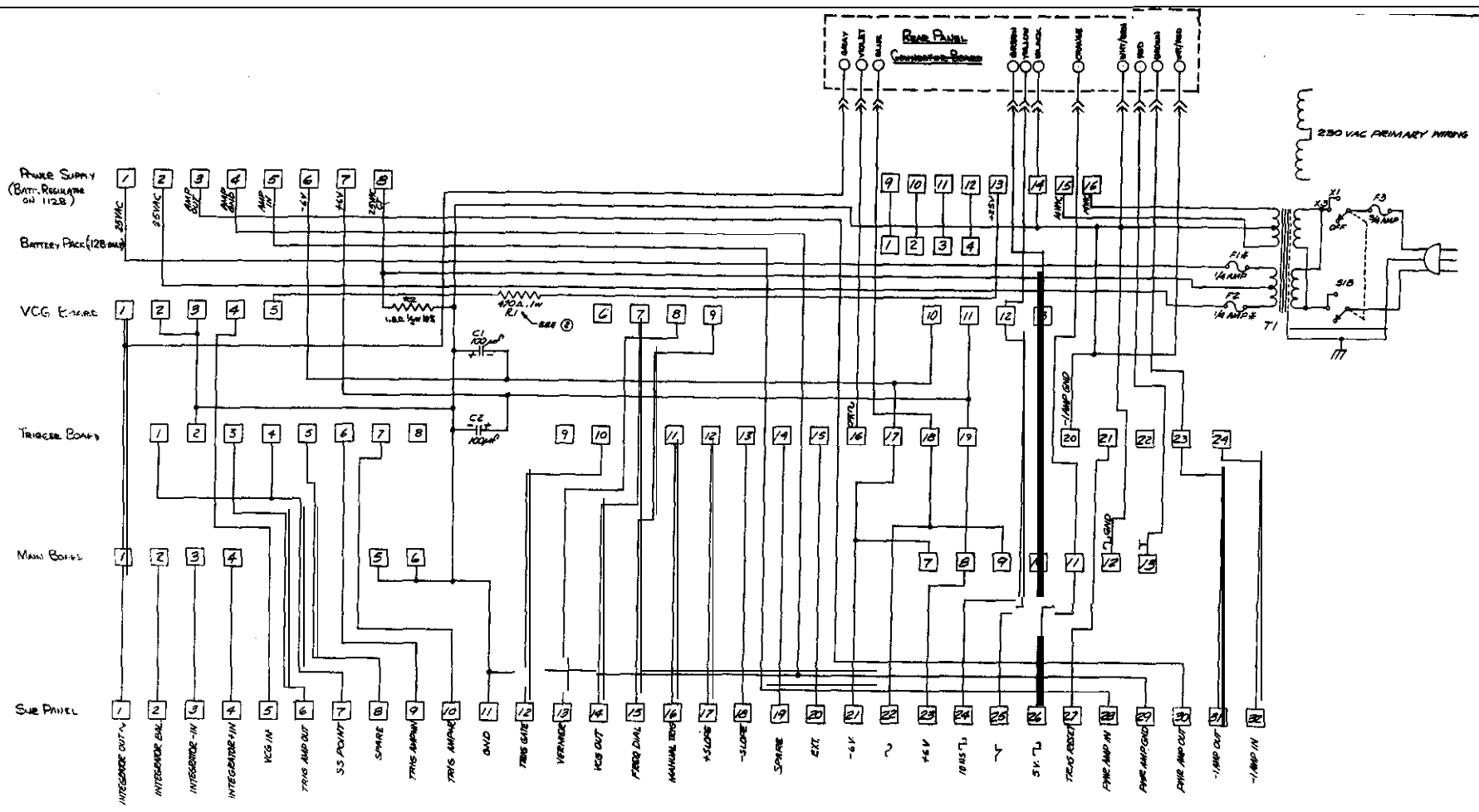


WAVETEK		3159 ENGINEER RD SAN DIEGO, CALIF.	
DRN: WHITELOCK	DATE: 1-10-67	APP'D: [Signature]	
SCHEMATIC - BATTERY PACK			
MODEL: 112-116		NO.: 112-223	



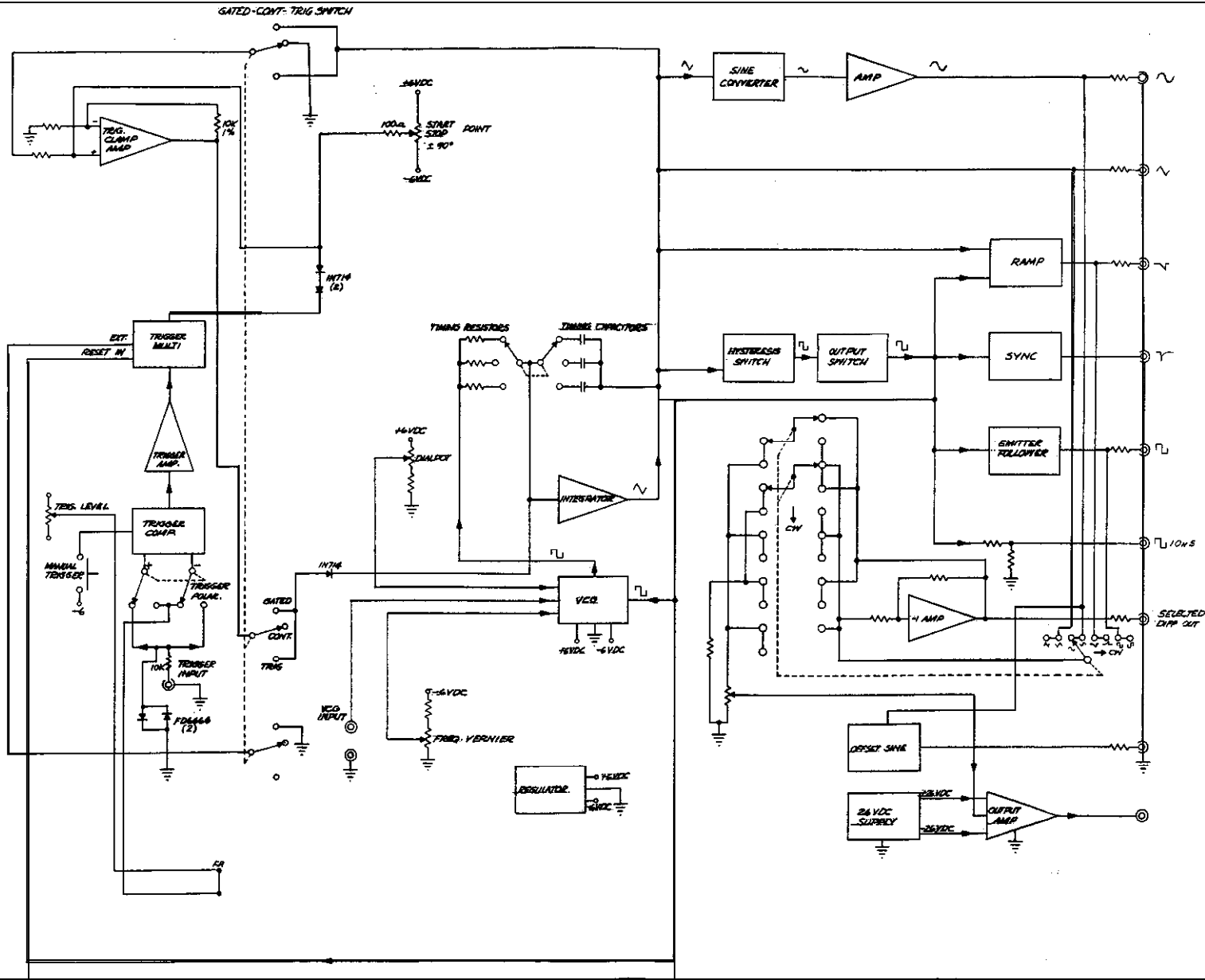
D	ECN #298	ENH #116
C	ECN #200	ENH #116
B	ECN #198	ENH #116
A	ECN #166	NO. 9/6/67

tolerance unless otherwise specified		rev	ecn	by	date	app.
.XX ± .010						
.XX ± .030						
scale	N/A	BYL ADAMSON		date	9/6/67	app. P. [signature]
material	N/A	title				
CONNECTOR MOUNTING BOARD (SCHEMATIC)						
model no.	112, 115, 116	dwg no.	112-225	rev	D	
finish	N/A	this document contains proprietary information and design rights belonging to WAVETEK and may not be used or reproduced for any reason except calibration, operation and maintenance without written authorization.				

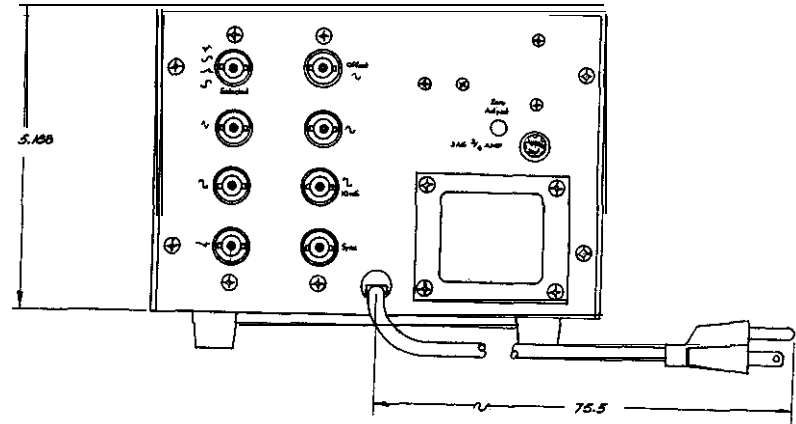
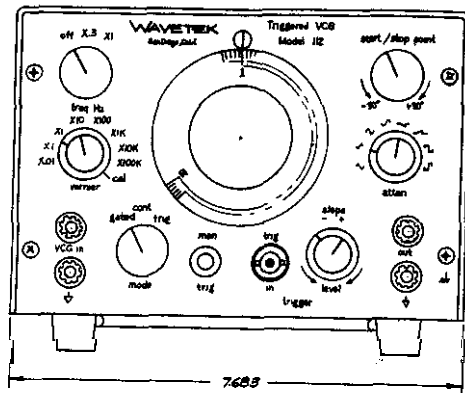


NOTE:
 1. PINS ARE NUMBERED LEFT TO RIGHT, AS VIEWED FROM COMPARTMENT SIDE OF BOARD.
 2. FOR "B" MODELS REPLACE R1 WITH A JUMPER
 3. (A) 71/72 ARE 1 AMP 0.5 FUSE (118, 114/15/118) B.

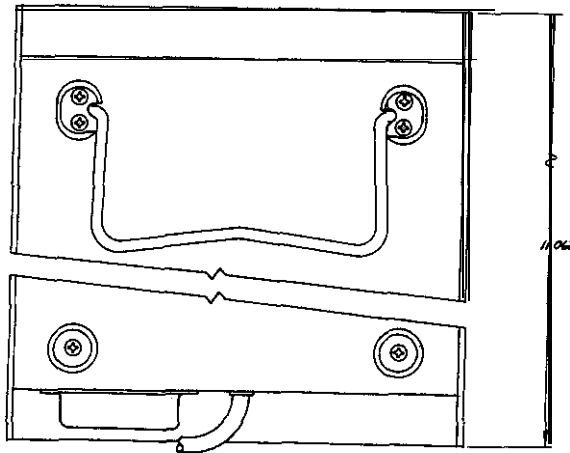
F	ECN #166	DATE	07/80
E	ECN #167	ENV	0-567
D	ECN #162	REV	7-26-67
C	ECN #116	REV	6-20-67
B	128	PM	5-16-67
A	118 (121)	JJ	1-8-67
CHG	ECN NO	DATE	APP
WAVETEK			
<small>DESIGN ENGINEER TO BE FILLED IN BY CUSTOMER</small>			
DATE:	DATE:	DATE:	DATE:
APPROVED:	APPROVED:	APPROVED:	APPROVED:
MOTHER BOARD			
MODEL:	112	NO:	110-2320E



WAVE TEK		5000 Engineer Dr.	
100000		Santa Clara, CA 95050	
Model: 5-9-66		Rev: R. 11/66	
BLOCK DIAGRAM TRIGGERED VCG			
112	112-600		



REAR VIEW



A	107	Revised	4/7/67
REV	ECN	BY	DATE
WAVETEK		NEW YORK, N.Y.	
200 BROADWAY		NEW YORK, N.Y. 10006	

OUTLINE DRAWING