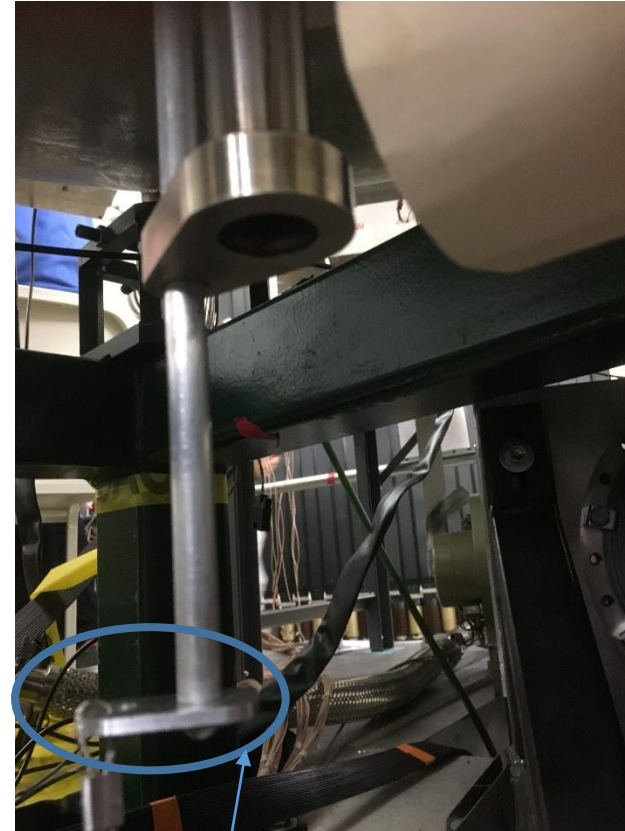


Target Position Guide

1. Get the correct number of tubes/washers to move to the desired target position
2. If you need to raise the target ladder up keep reading if moving it down skip to step 3, while holding the target ladder rod in place loosen the two screws holding in place. When you do this the target ladder will be pulled up due to the vacuum, don't let this happen. Now raise the target ladder rod to roughly the position where it needs to be, then tighten down the target ladder rod once again.
3. Unscrew the plate on the bottom of the target ladder rod. Place the correct tubes and washers on the rod and then screw the plate back on. Being careful that the washers are actually on the rod and not stuck between the plate and bottom of the rod.
4. While holding the target ladder rod in place loosen it and then move it down until the bottom of the rod is flush with the top of the stack of tubes/washers you have made.
5. Lastly tighten the screws to keep the target ladder rod in place.

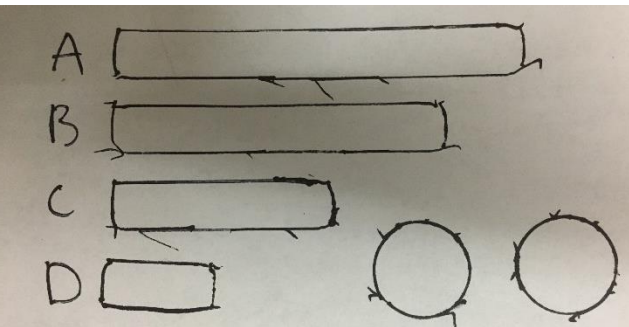


Plate

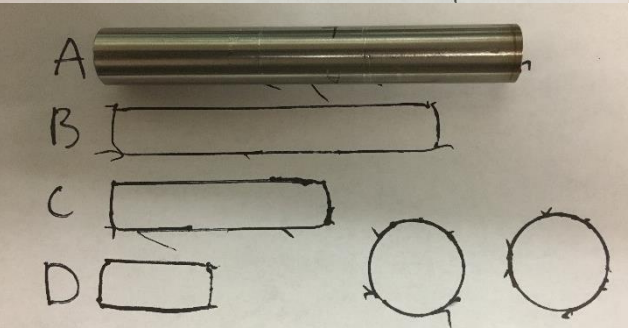


Adjustment Screws

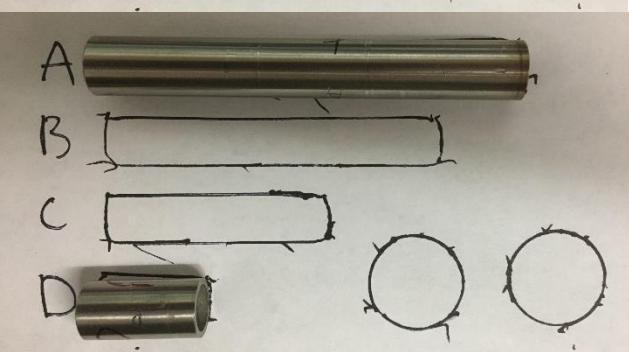
Target Position Spacers



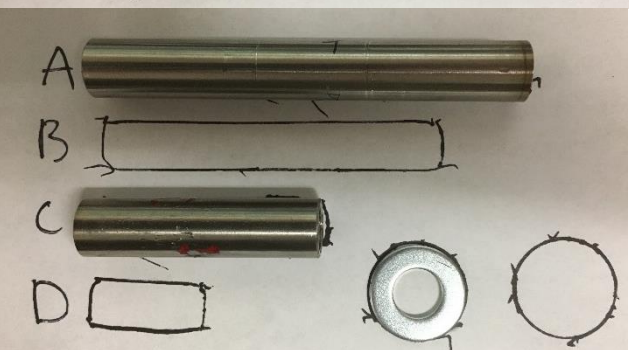
Alpha Source



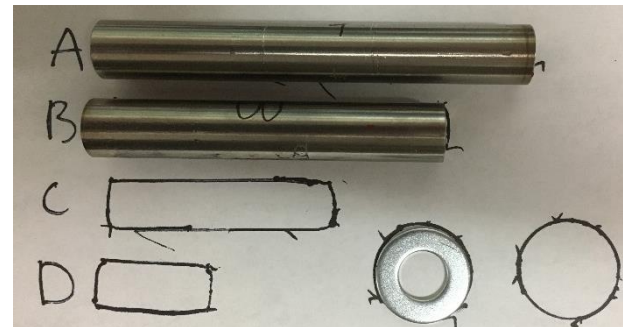
Viewer



Blank



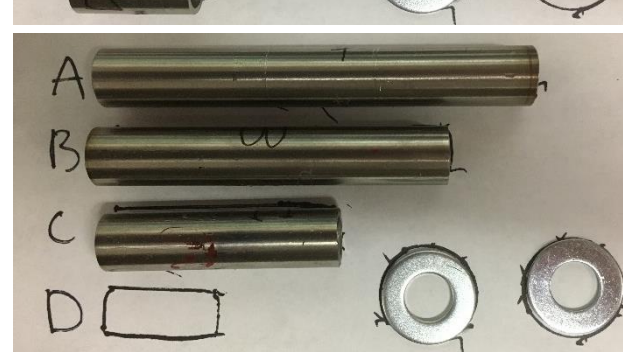
58 Ni



64 Ni



124 Sn



112 Sn



CH2