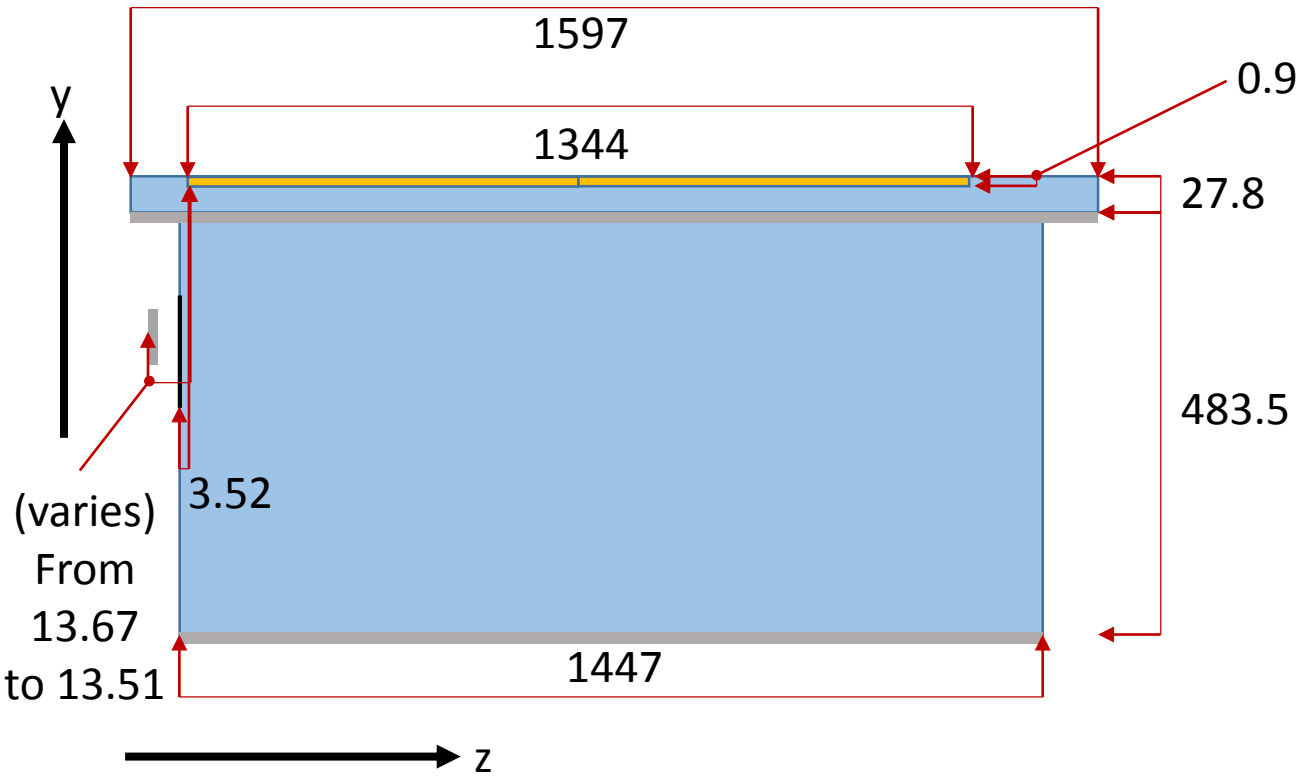
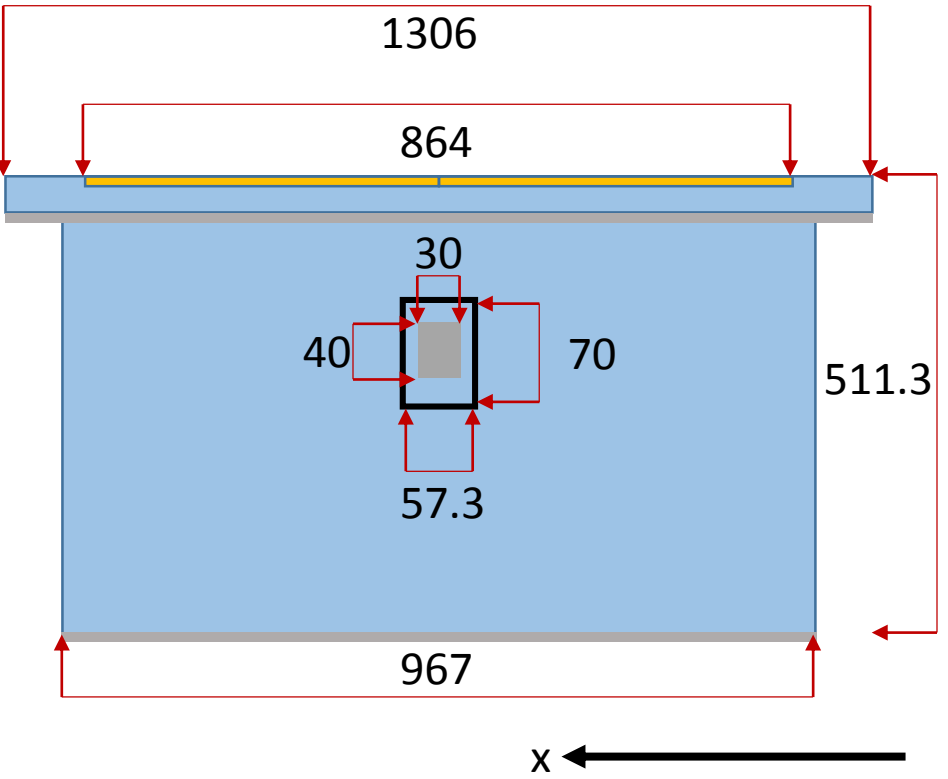
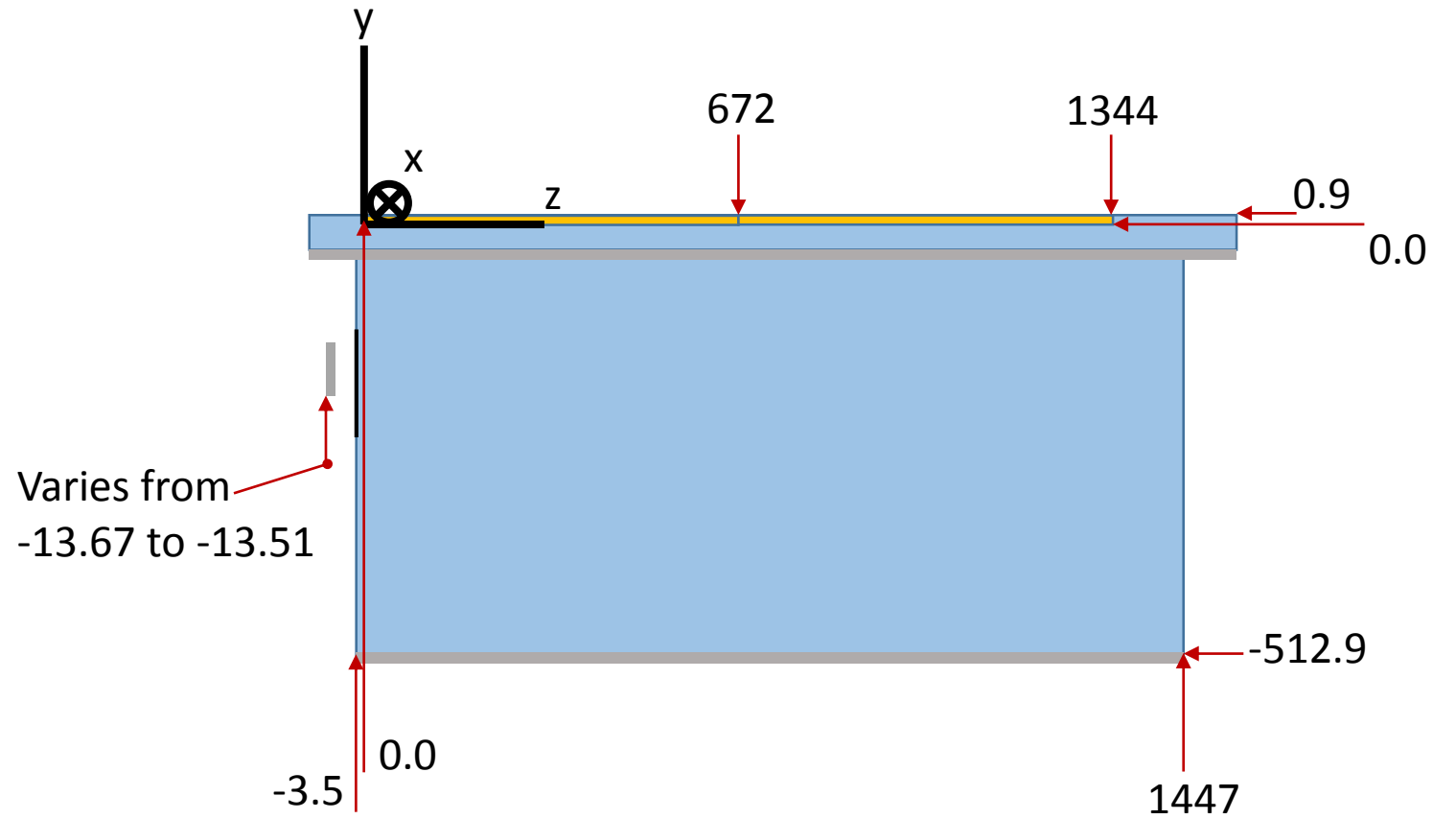
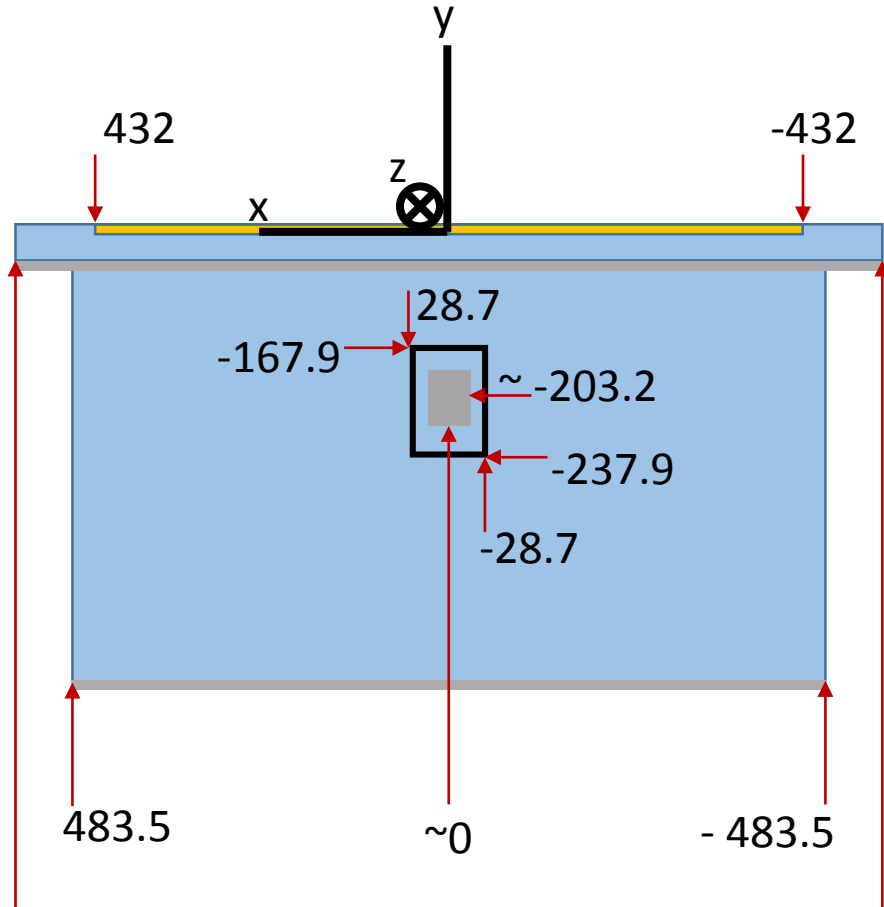


Dimensions in mm



TPC coordinates – start at pad plane origin

Dimensions in mm



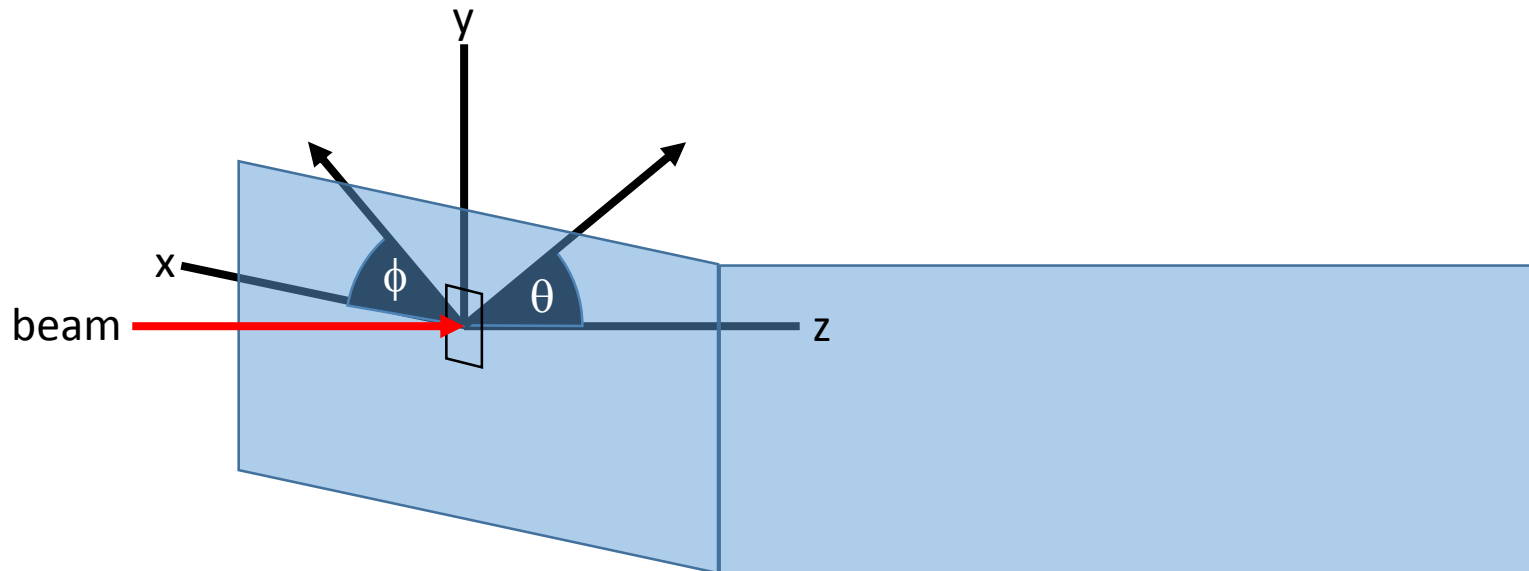
Angle definition

ϕ from 0 to +360 degrees

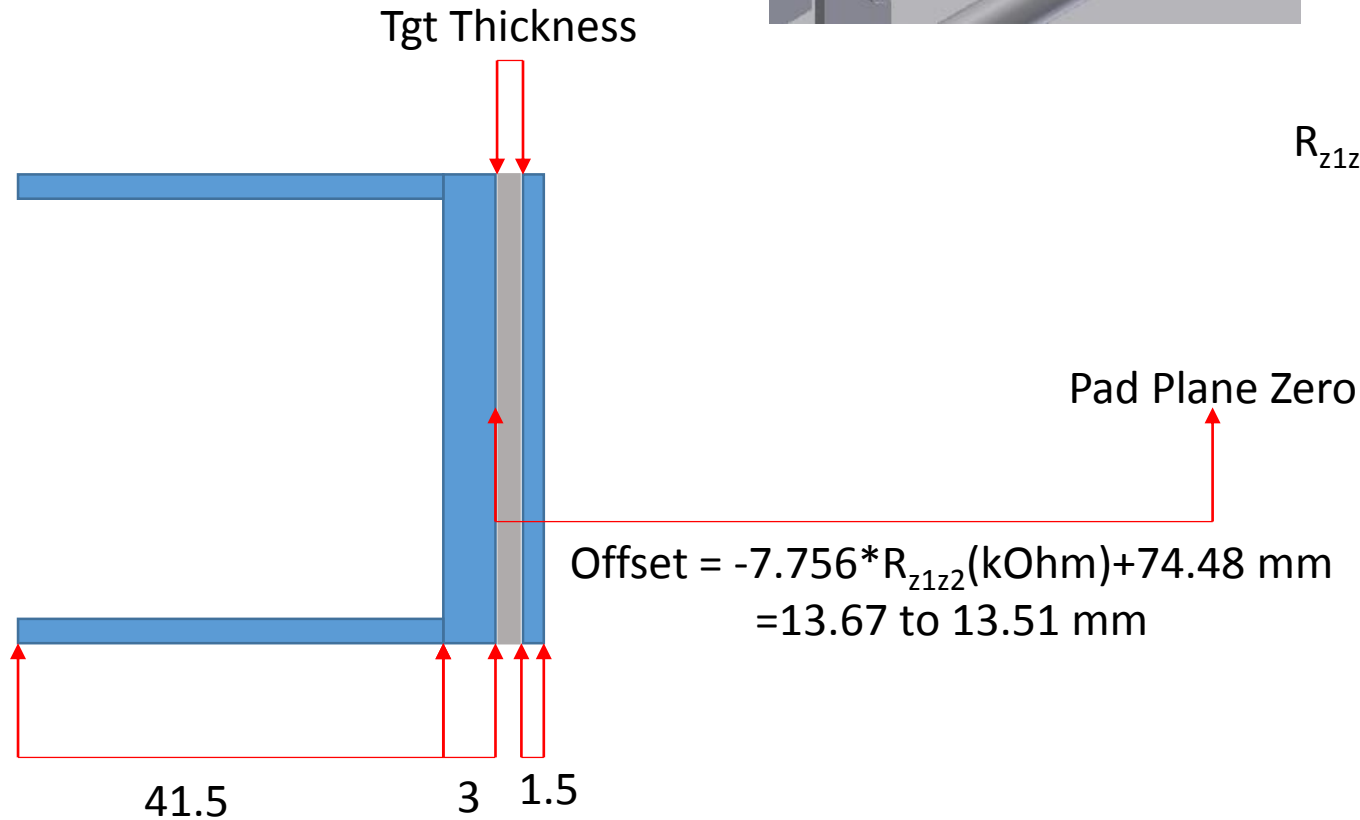
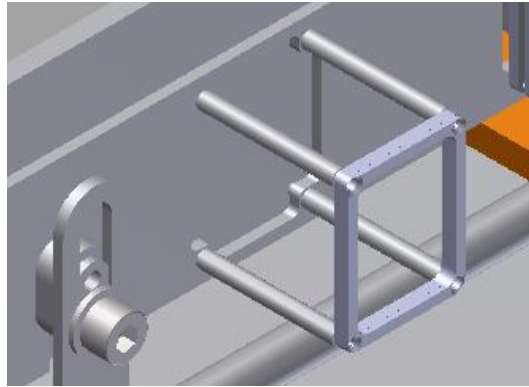
θ from 0 to 90 degrees

$$\phi = \arctan 2 \left(\frac{dy}{dx} \right)$$

$$\theta = \arccos \left(\frac{dz}{\sqrt{dz^2 + dy^2 + dx^2}} \right)$$



Target Z position Dimensions in mm



$R_{z1z2}(\text{kOhm})$ ranges from 7.84 to 7.86 kOhm

Object names

